

DATA SHEET

page 1/4

Form 488-070924

Description

Part Numbers	Description
ODC5Q	4-Channel DC Output 5–60 VDC, 5 VDC Logic
ODC5AQ	4-Channel DC Output 5–200 VDC, 5 VDC Logic

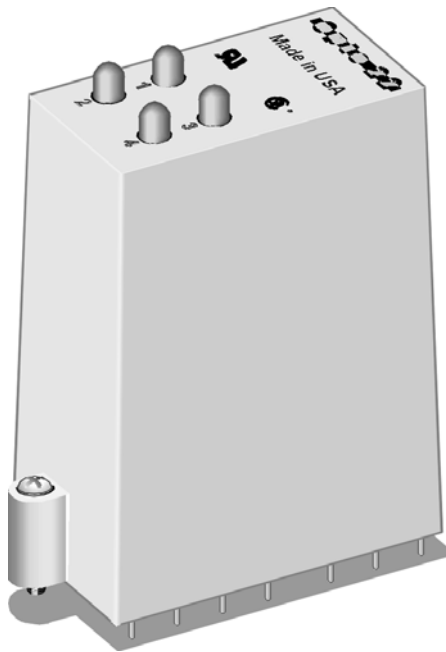
Quad Pak modules contain the equivalent of four single channel I/O circuits in a single high-density package. Each Quad Pak module is divided into two pairs of channels with each pair sharing a common connection. The Quad Pak modules are designed to plug into the Quad Pak high-density I/O mounting racks only and cannot be plugged into single channel racks. Quad Pak modules are designed to work with a 5 VDC logic voltage only and can be used with Optomux, Pamux, and Mystic protocol brain boards and mounting racks as well as racks using a direct cable connection to a computer.

DC output modules are used for controlling or switching DC loads. Each module provides up to 4,000 V_{rms} of optical isolation between the field devices and the control logic.

Typical uses and applications for DC output modules include switching the following loads:

- DC Relays
- DC Solenoids
- DC Motor Starters
- DC Lamps or Indicators

All Quad Pak DC outputs are current sourcing outputs. The module connection to the load is the positive connection.



DATA SHEET

page 2/4

Form 488-070924

Specifications

	Units	ODC5Q	ODC5AQ
Line Voltage - Maximum	VDC	60	200
Operating Voltage Range	VDC	5-60	5-200
Current Rating (each channel)			
@ 20° C Ambient	Amps	3	1
@ 45° C Ambient	Amps	2	1
@ 70° C Ambient	Amps	1	0.55
Off-state Leakage @ Maximum Voltage	mA	1	2
Logic Voltage - Nominal	VDC	5	5
Logic Voltage Range (Vcc)	VDC	4-8	4-8
Logic Pickup Voltage	VDC	4.0	4.0
Logic Dropout Voltage	VDC	2.3	2.3
Logic Input Current @ Nominal Logic Voltage	mA	12	12
Control Resistance	Ohms	220	220
One-Second Surge	Amps	5	5
Operating Ambient Temperature	°C	-30 to 70	-30 to 70
Isolation Input-to-Output	Vrms	4,000	4,000
Turn-on Time	µs	100	100
Turn-off Time	µs	750	750
Output Voltage Drop Maximum	Volts	1.6	1.6

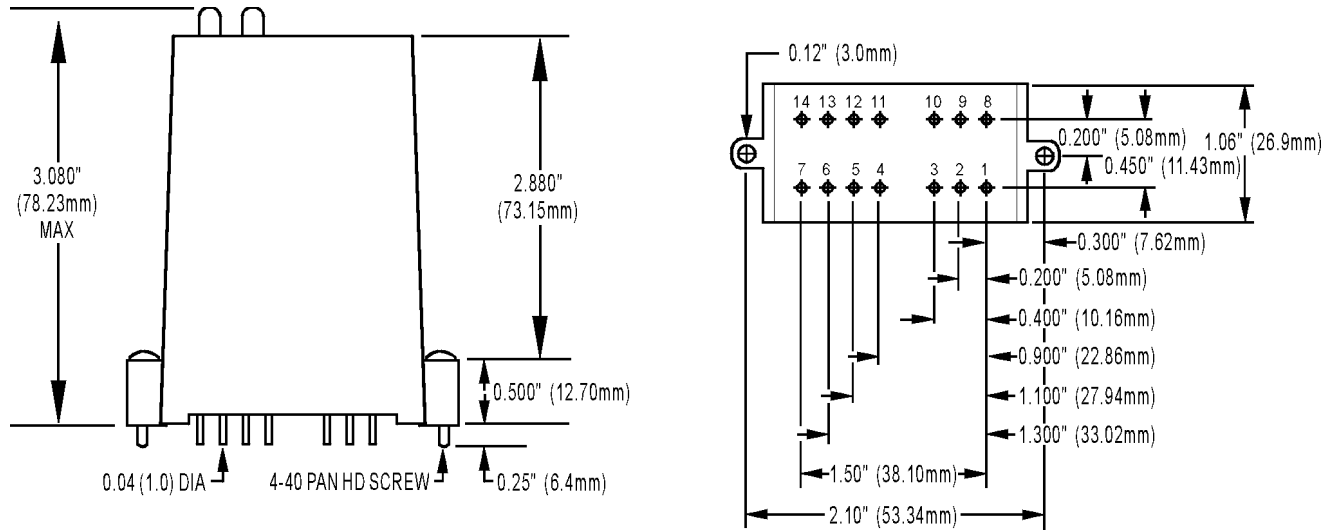
OPTO 22

I/O MODULES QUAD DC OUTPUT

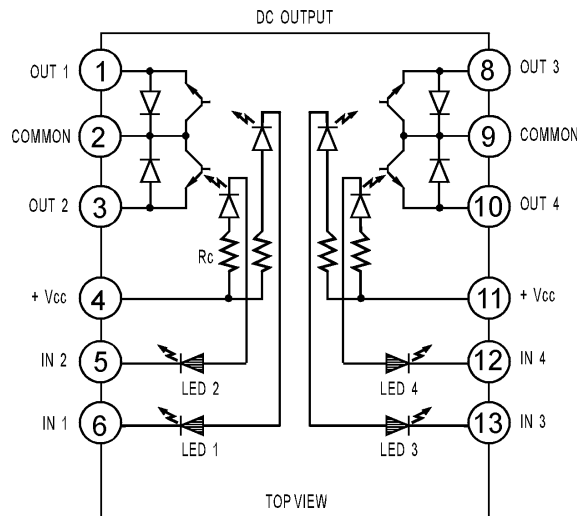
DATA SHEET



Form 488-070924

Dimensions



Schematics



-  RED INDICATOR LED
-  INFRARED COUPLER LED
- EQUIVALENT CIRCUIT ONLY
- NEGATIVE TRUE LOGIC
- INDUCTIVE LOADS MUST BE DIODE SUPPRESSED