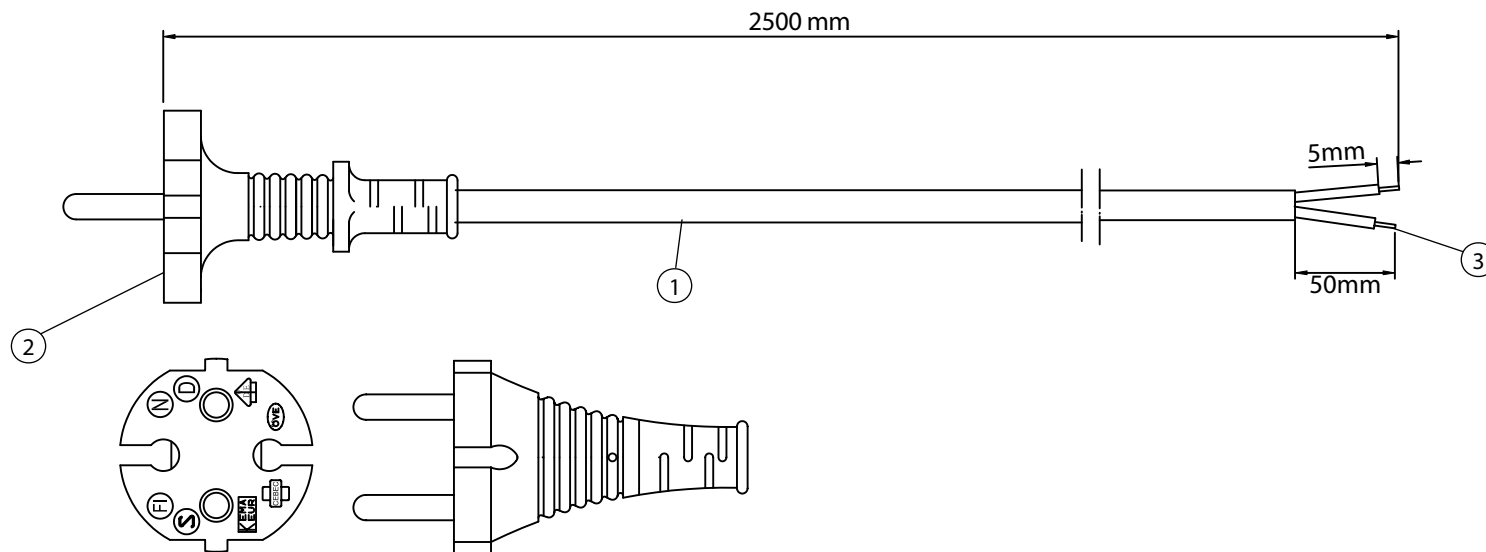


THESE DRAWINGS ARE THE PROPERTY OF QUALTEK ELECTRONICS AND NOT TO BE REPRODUCED FOR OR COMMUNICATED TO A THIRD PARTY WITHOUT THE EXPRESS WRITTEN PERMISSION OF AN OFFICER OF QUALTEK ELECTRONICS.

REVISION			
REV.	DESCRIPTION	DATE	APPROVED



CONTROLLED

NOTES:

1. CORDAGE: H03VVH2-F, 2x0.75mm, UNSHIELDED, CEE COLOR CODE, TEMP. RATING: 70°C, RATING: 250V 6A, JACKET COLOR: BLACK
2. PLUG: CONTINENTAL EUROPE
3. OTHER END: ROJ 50mm STRIP 5mm
4. APPROVALS: GERMANY, DENMARK, NORWAY, FINLAND, BELGIUM, NETHERLANDS, SWEDEN, AUSTRIA
5. ROHS COMPLIANT

Dim range (mm)		Tolerance +/- (mm)		Qualtek Electronics Corp. PPC DIVISION		
0-1		0.15		Part Number: 362001-E01 <div style="float: right; border: 1px solid green; padding: 2px;">RoHS Compliant</div>		
1-6		0.20		Description: POWER CORD		
6-18		0.30				
18-50		0.50		UNIT: mm		
50-120		0.70		Drawn / Date R.Nuti 09-26-07	Checked / Date 09-26-07	Approved / Date JJH / 09-26-07
120-250		0.90				
250-500		1.20				