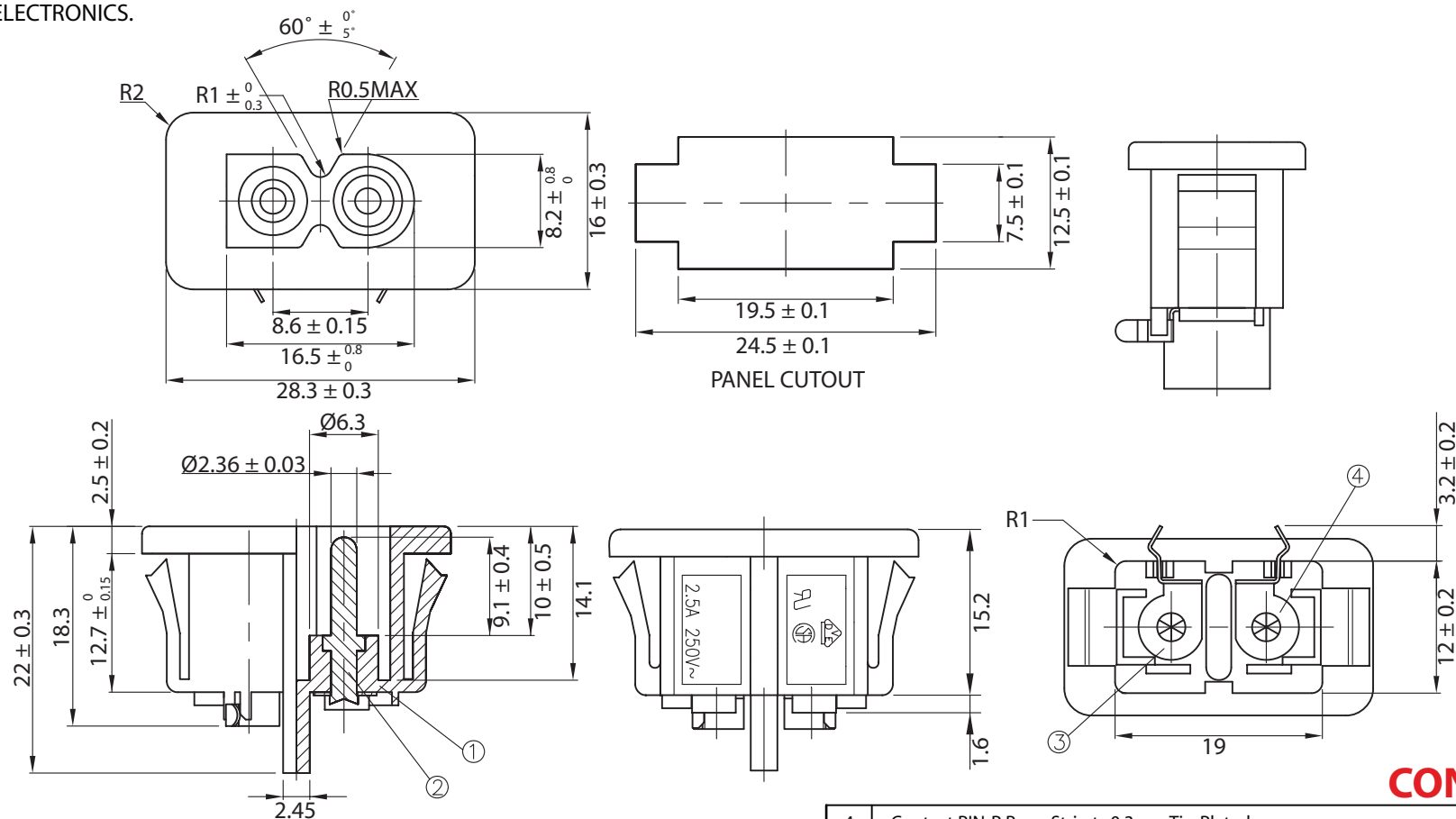


THESE DRAWINGS ARE THE PROPERTY OF QUALTEK ELECTRONICS AND NOT TO BE REPRODUCED FOR OR COMMUNICATED TO A THIRD PARTY WITHOUT THE EXPRESS WRITTEN PERMISSION OF AN OFFICER OF QUALTEK ELECTRONICS.

REVISION			
REV.	DESCRIPTION	DATE	APPROVED
B	RoHS Compliancy	06-01-06	DP
C	Updated Specifications	10-18-07	DP



CONTROLLED

NOTES:

RATING: 2.5A 250V AC
 APPROVALS: UL, CSA, VDE,
 PANEL THICKNESS: 0.6~2.0mm
 RoHS COMPLIANT

4	Contact PIN-R Brass Strip t=0.3mm Tin-Plated	1
3	Contact PIN-L Brass Strip t=0.3mm Tin-Plated	1
2	Solid Contact PIN Brass Strip d=Ø2.36mm Ni-Plated	2
1	Body Insulator PC Black Color	1

Dim range (mm)	Tolerance +/- (mm)	Qualtek Electronics Corp. PPC DIVISION		
		Part Number: 770W-X2/12	RoHS Compliant	
0-1	0.15	Description: RECEPTACLES		
1-6	0.20		UNIT: mm	REV. C
6-18	0.30			
18-50	0.50			
50-120	0.70	Drawn / Date	Checked / Date	Approved / Date
120-250	0.90	B.Zhang 06-16-03	06-16-03	JJH / 06-16-03
250-500	1.20			