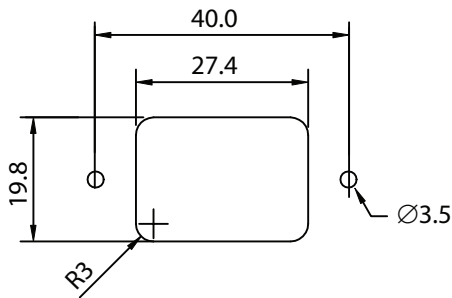
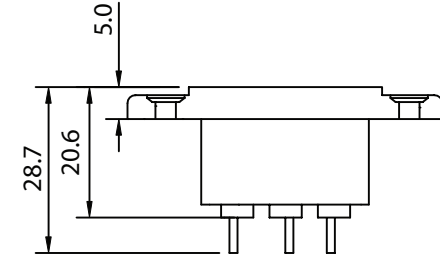
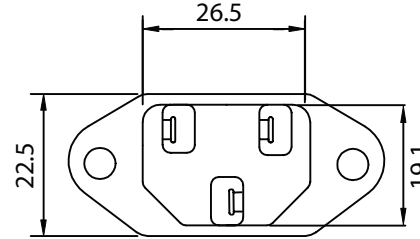
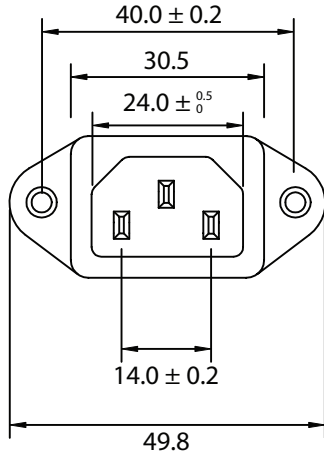
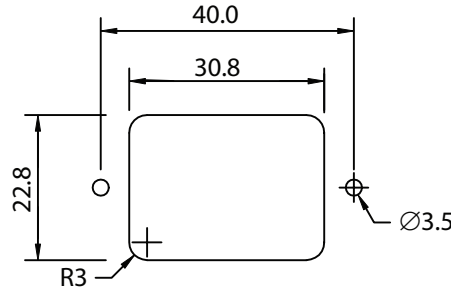


THESE DRAWINGS ARE THE PROPERTY OF QUALTEK ELECTRONICS AND NOT TO BE REPRODUCED FOR OR COMMUNICATED TO A THIRD PARTY WITHOUT THE EXPRESS WRITTEN PERMISSION OF AN OFFICER OF QUALTEK ELECTRONICS.

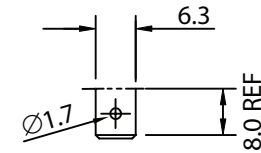
REVISION			
REV.	DESCRIPTION	DATE	APPROVED
B	RoHS Compliancy	06-01-06	DP



FOR FRONT MOUNTING USE
PANEL CUT-OUT



FOR REAR MOUNTING USE
PANEL CUT-OUT



NOTES:

MATERIAL:

HOUSING: THERMOPLASTIC UL 94VO (MAX TEMP: 120°C)
TERMINAL: COPPER ALLOY

CHARACTERISTICS:

RATING: 10A, 250V, AC/15A, 250V AC
INSULATION RESISTANCE: OVER 100 OHM 500V DC
DIELECTRIC STRENGTH: 2000V AC ONE MINUTE

APPROVALS:

UL, CSA, VDE, SEV, CB, SEMKO, DEMKO, NEMKO,
and SETI

NONCOUNTERSINK 6.3mm
RoHS COMPLIANT

CONTROLLED

Dim range (mm)	Tolerance +/- (mm)	Qualtek Electronics Corp. PPC DIVISION		
		Part Number: 703W-00/04	RoHS Compliant	
0-1	0.15	Description: AC RECEPTACLE		
1-6	0.20			
6-18	0.30		UNIT: mm	REV. B
18-50	0.50			
50-120	0.70	Drawn / Date	Checked / Date	Approved / Date
120-250	0.90	B.ZHANG 09-21-00	09-21-00	JJH / 09-21-00
250-500	1.20			