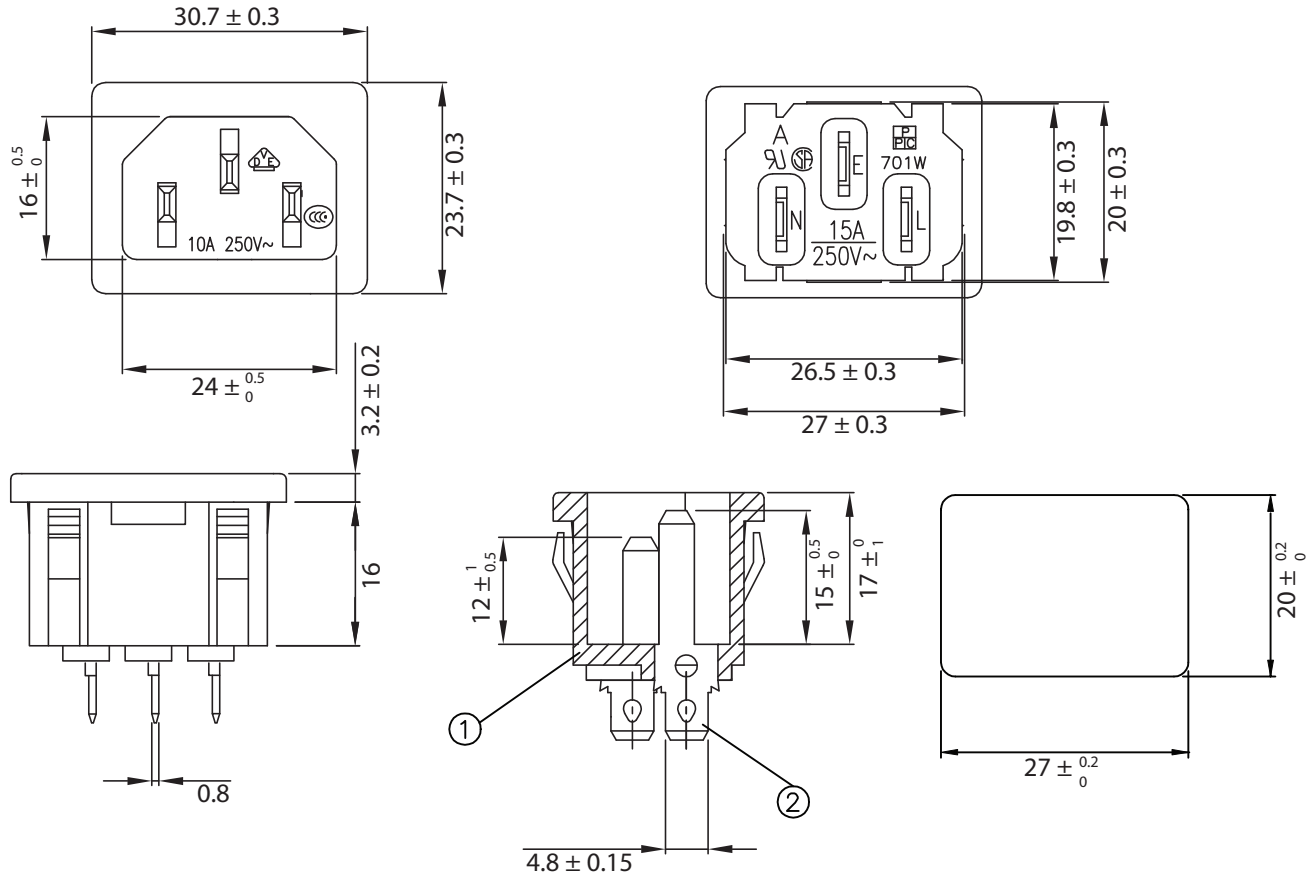


THESE DRAWINGS ARE THE PROPERTY OF QUALTEK ELECTRONICS AND NOT TO BE REPRODUCED FOR OR COMMUNICATED TO A THIRD PARTY WITHOUT THE EXPRESS WRITTEN PERMISSION OF AN OFFICER OF QUALTEK ELECTRONICS.

| REVISION |  |          |          |
|----------|--|----------|----------|
| REV.     | DESCRIPTION                                    | DATE     | APPROVED |
| B        | RoHS Compliancy                                | 06-01-06 | DP       |
| C        | Updated Dimensions                             | 06-30-08 | DP       |
| D        | Updated Panel Thickness, Cutout, and Approvals | 03-03-16 | LY       |



**CONTROLLED**

NOTES:

RATING:

UL, CSA: 15A 250V AC  
 VDE, CCC: 10A 250V AC  
 INSULATION RESISTANCE: OVER 100M OHM 500V DC  
 DIELECTRIC RESISTANCE: 2000V AC ONE MINUTE  
 PANEL THICKNESS: 0.8mm ~ 1.5mm  
 APPROVALS: UL, CSA, VDE, CCC  
 RoHS COMPLIANT

|                |                                    |                                   |  |  |                |                 |
|----------------|------------------------------------|-----------------------------------|--|--|----------------|-----------------|
| 2              | Contact Pin Brass Strip Tin-Plated | 3                                 |  |  |                |                 |
| 1              | Body Insulator Nylon Black Color   | 1                                 |  |  |                |                 |
| Dim range (mm) |                                    | Tolerance +/- (mm)                |  | <b>Qualtek Electronics Corp.</b><br><b>PPC DIVISION</b><br>Part Number: <b>701W-X2/03</b> <span style="border: 1px solid green; padding: 2px;">RoHS Compliant</span> |                |                 |
| 0-1            | 0.15                               | Description: <b>AC RECEPTACLE</b> |  |  |                |                 |
| 1-6            | 0.20                               |                                   |  | UNIT: mm   | REV. C         |                 |
| 6-18           | 0.30                               |                                   |  | Drawn / Date   | Checked / Date | Approved / Date |
| 18-50          | 0.50                               |                                   |  | B.Zhang<br>05-24-05  | 05-24-05       | JJH / 05-24-05  |
| 50-120         | 0.70                               |                                   |  |  |                |                 |
| 120-250        | 0.90                               |                                   |  |  |                |                 |
| 250-500        | 1.20                               |                                   |  |  |                |                 |