
MULTI-FUNCTION MODULE FILTERS



Primary Power Components Division

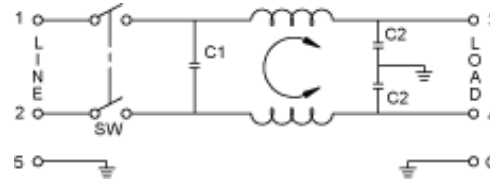
[EMI Filter Cross Reference](#)

[EMI Filter Inquiry Form](#)

**RoHS
Compliant**

860 Series General Purpose Filters with Switch

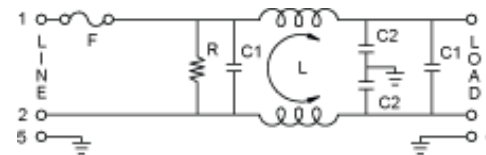
A compact filter with an IEC connector and single fuse holder (5 x 20) providing common and differential mode EMI suppression



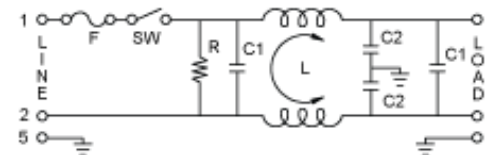
Part Number		Amp Rating	Size L x W x H
860-03/008		3	2.15 x 1.12 x 1.5
860-06/018		6	2.15 x 1.12 x 1.5
860-10/024		10	2.15 x 1.12 x 1.5

862 Series Multi-Function Module Filters

A multi-function power entry module filter that incorporates an IEC connector, a single fuse holder (5 x 20) with optional on/off switch, and voltage selector switch.



A

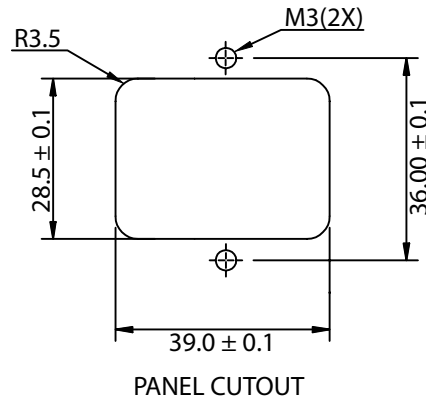
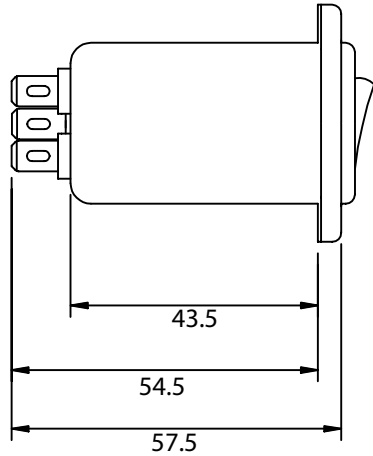
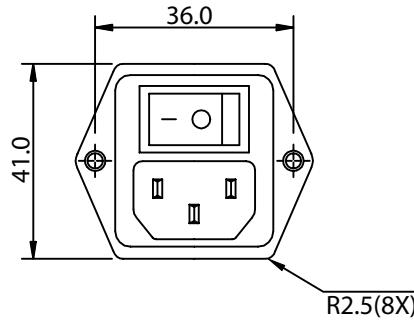
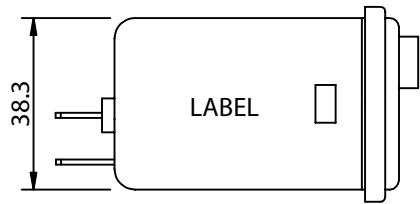


B

THESE DRAWINGS ARE THE PROPERTY OF QUALTEK ELECTRONICS AND NOT TO BE REPRODUCED FOR OR COMMUNICATED TO A THIRD PARTY WITHOUT THE EXPRESS WRITTEN PERMISSION OF AN OFFICER OF QUALTEK ELECTRONICS.

REVISION			
REV.	DESCRIPTION		APPROVED
B	RoHS Compliance		DP

1. PHYSICAL DIMENSIONS



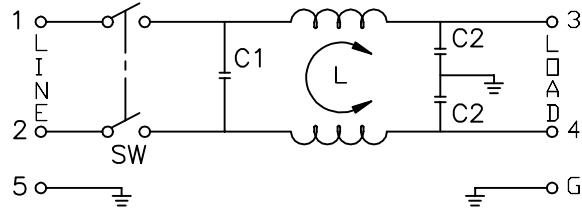
ELECTRICAL CHARACTERISTICS:

- 1-1. VOLTAGE RATING.....115/250VAC
- 1-2. CURRENT RATING
A. @ 115 VAC.....10 A RMS MAX
B. @ 250 VAC.....10 A RMS MAX
- 1-3. OPERATING FREQUENCY.....50/60Hz
- 1-4. LEAKAGE CURRENT: EACH LINE TO GROUND
A. @ 115 VAC 60Hz.....0.20 mA MAX
B. @ 250 VAC 50Hz.....0.40 mA MAX
- 1-5. HIPOT RATING (FOR ONE MINUTE)
A. LINE TO GROUND.....2250 VDC
B. LINE TO LINE.....1450 VDC
- 1-6. MINIMUM INSERTION LOSS IN dB: (AT 50 OHM SYSTEM)

FREQ. MHz	.01	.05	.10	.15	.50	1.0	5.0	10	30
COM. MODE dB	/	/	/	5	10	20	30	35	35
DIF. MODE dB	/	/	/	5	10	20	30	35	35

- 1-7. OPERATING TEMPERATURE.....-25° TO +85° C
- 1-8. SAFETY:
- 1-9. RoHS COMPLIANT

2. ELECTRICAL SCHEMATIC



L: 0.3mH
C1: 0.1uF
C2: 2200pF

CONTROLLED

Dim range (mm)	Tolerance +/- (mm)	Qualtek Electronics Corp. PPC DIVISION		
		Part Number: 860-10/024		
Description: EMI FILTER				
0-1	0.15	UNIT: mm		
1-6	0.20			
6-18	0.30			
18-50	0.50			
50-120	0.70	Drawn / Date		
120-250	0.90	B.ZHANG		
250-500	1.20			