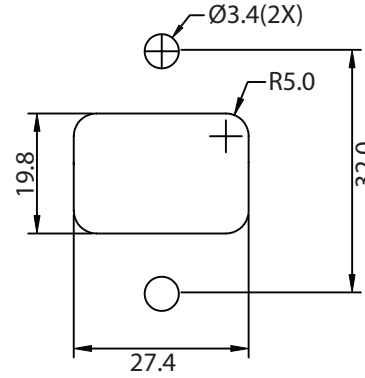
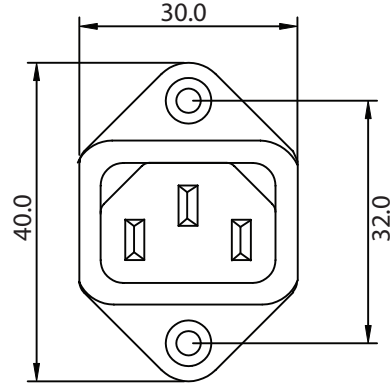
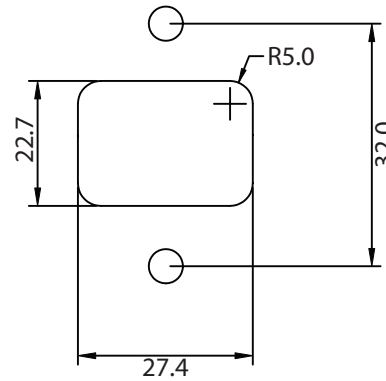
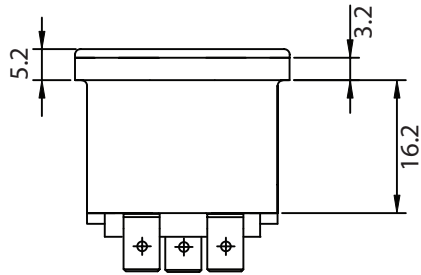


THESE DRAWINGS ARE THE PROPERTY OF QUALTEK ELECTRONICS AND NOT TO BE REPRODUCED FOR OR COMMUNICATED TO A THIRD PARTY WITHOUT THE EXPRESS WRITTEN PERMISSION OF AN OFFICER OF QUALTEK ELECTRONICS.

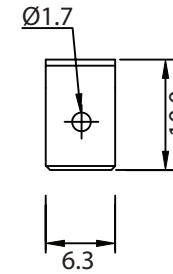
REVISION			
REV.	DESCRIPTION	DATE	APPROVED
B	RoHS Compliancy	06-01-06	DP



FRONT PANEL CUTOUT



REAR PANEL CUTOUT



NOTES:

MATERIAL:

MOLDING: NYLON, FLAMMABILITY RATING UL 94V-0  
 CONTACTS: BRASS, PINS NICKEL PLATED, TAGS TIN PLATED  
 RATING: 10A 250V AC  
 CONTACT RESISTANCE: <10m OHM  
 INSULATION RESISTANCE: >10<sup>3</sup> M OHM  
 A.C. BREAKDOWN:  
 POLE-POLE: 5kV  
 POLES-PANEL: 4.0kV  
 OPERATING TEMPERATURE: -40° C TO +70° C  
 MAX. PIN TEMPERATURE: +65° C  
 APPROVALS: UL, CSA, VDE  
 RoHS COMPLIANT

**CONTROLLED**

Dim range (mm)	Tolerance +/- (mm)	Qualtek Electronics Corp. PPC DIVISION		
		Part Number:	702-00/63	RoHS Compliant
0-1	0.15	Description: AC RECEPTACLE		
1-6	0.20			
6-18	0.30	UNIT: mm	REV. B	
18-50	0.50	Drawn / Date	Checked / Date	Approved / Date
50-120	0.70	B.ZHANG	05-28-02	JJH / 05-28-02
120-250	0.90	05-28-02	05-28-02	05-28-02
250-500	1.20	05-28-02	05-28-02	05-28-02