



Veeder-Root brand **EHM** Series



Ideal for applications where equipment running time must be registered for maintenance and commercial purposes. Such as:

- Gas & Diesel Powered Generators, Air Compressors
- Construction and Mining Vehicles (Bulldozers, Backhoes, Cranes, etc)
- Off-Road Vehicles
- Specialty Vehicles
- On-Road Trucks

1000's of applications where its necessary to track equipment operating time

Features and Benefits

- Models in popular **Round and Rectangular packaging.**
- Attractive **5mm, 6-digit LCD display** with hourglass operation indicator.
- High reliability **non-volatile memory.**
- Precise... **±0.1% accuracy.**
- Broad voltage range, **9 to 32VDC operation.** Reverse-polarity and over-voltage protection.
- Wide operating and storage **temperature range.**
- Washdown safe, **sealed front panel.**

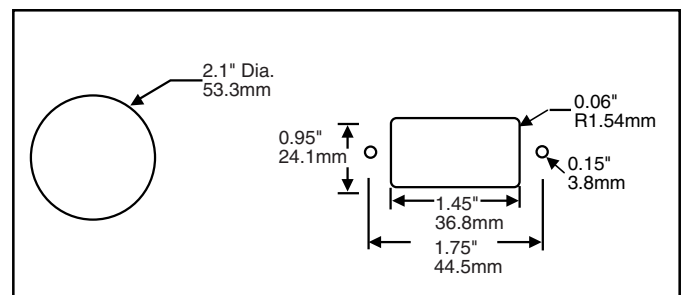
SPECIFICATIONS

Accuracy: ±0.1%
Display: 6-digit LCD, 5 mm high
Timing Indication: Hourglass Icon
Operating Power (+V): 9-32VDC @ 5mA max.
Non-Volatile Memory: Exclusive Error Detection/Error Correction algorithm provides power off memory of data retention accuracy of less than ±0.1%.
Range & Resolution: 99999.9 hours @ 0.1 hour resolution
Timing Activation Input: Hourmeter runs during presence of 9-32VDC; will also provide operating voltage if none is applied to "+V" terminal
Termination: Blade terminals; 1/4" on round case; 3/16" on rectangular case
EMC EMC Susceptibility:
 EN61000-4-2 for industrial environments
 EN50082-1 for commercial and light industrial environments.
 ISO13766:2006
 SAE113
EMC Emissions
 EN50081-1 for light industrial environments
 EN50081-2 for industrial environments
 ISO7637-2
 SAE113
Operating temperature: -40°C to +85°C (LCD response may lag when below -20°C)
Storage Temperature -40C to +85C (LCD freezes with permanent damage below -40C)
Humidity: 5% to 90% RH non-condensing
Safety: Low Voltage Directive Safety Requirements EN61010-1
Vibration: SAE J 1378 20g
Mechanical Shock: SAE J 1378 55g
Environmental Sealing: NEMA4X

CONNECTIONS

| Terminal | Description |
|----------|----------------------------------------------------------------------------------------------------------|
| +V | + (9-32 VDC) |
| -V | - (GND) |
| S | Start Input + (9-32VDC) Note: For two wire operation, connect +9-32VDC to "S" and - (GND) to "-V" |

MOUNTING DETAILS

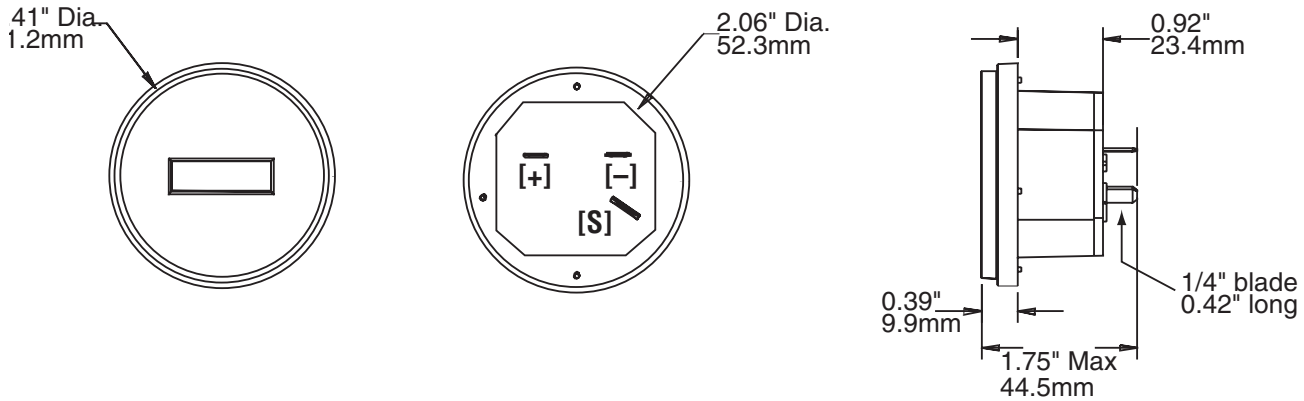




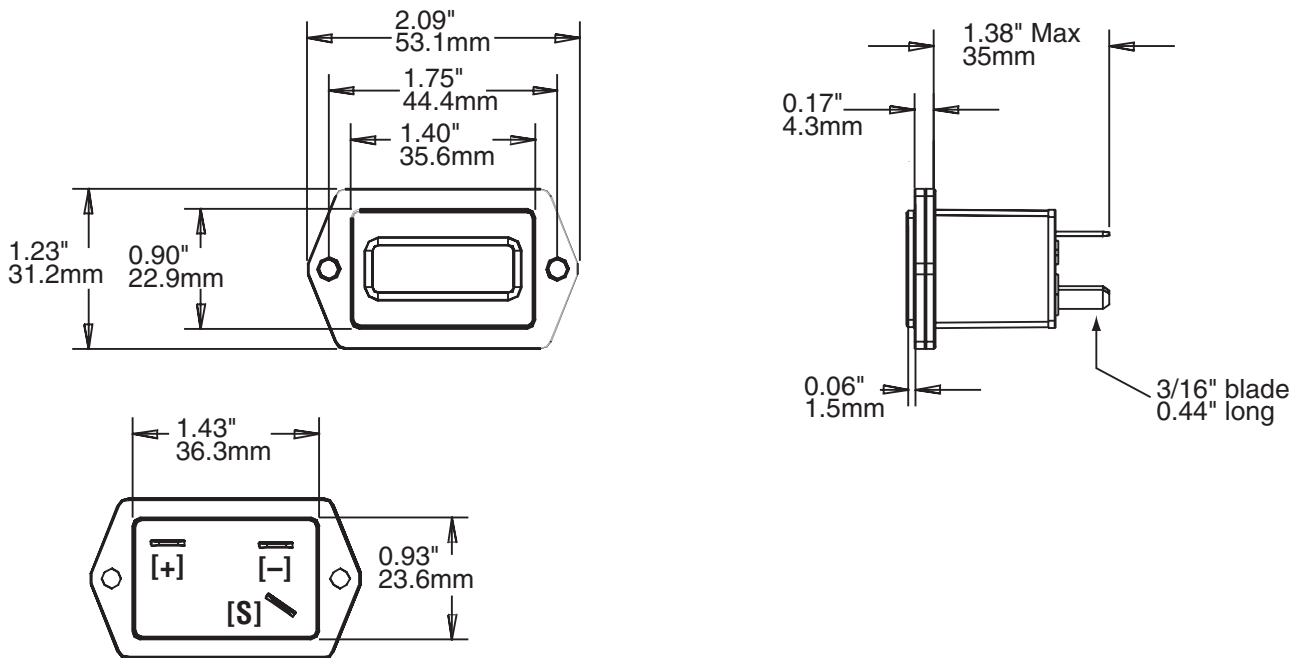
Veeder-Root brand **EHM** Series

DIMENSIONS

EHM-100112



EHM-200112



ORDERING INFORMATION

| Description | Part Number |
|--------------------------------|-------------------|
| Round Hour Meter 9-32VDC | EHM-100112 |
| Rectangular Hour Meter 9-32VDC | EHM-200112 |