

AZ2702

30 AMP POWER RELAY

FEATURES

- Low cost
- 30 Amp switching
- Class B insulation system standard, Class F available
- Quick connect terminals
- 4 kV dielectric
- Standard (2.4 mm) and wide contact gap (3.0 mm) available
- Epoxy sealed version available
- UL, CUR file E44211
- TÜV R50031999



CONTACTS

Arrangement	SPST (1 Form X) DPST (2 Form X)
Ratings	Resistive load: Max. switched power: 840 W or 8310 VA Max. switched current: 30 A Max. switched voltage: 150* VDC or 400 VAC *Note: If switching voltage is greater than 30VDC, special precautions must be taken. Please contact the factory.
Rated Load UL, CUR	30 A at 277 VAC res. 30k cycles [1] 1.5 HP at 120 VAC [1] 3 HP at 240 VAC [1] TV-10 at 120 VAC [1] 30 A at 277 VAC res. 70k cycles [2] 3 HP at 240 VAC 100k cycles [2] 10 A at 120 VAC tungsten load, 10k cycles [2]
TÜV	27 A at 240 VAC, cos phi = .8, 100k cycles [1] [1] silver cadmium oxide, [2] silver tin oxide (1 Form X only)
Material	Silver cadmium oxide, silver tin oxide
Resistance	< 100 milliohms initially (24 V, 1 A voltage drop method)

COIL

Power	
At Pickup Voltage (typical)	1.08 W (DC) 1.2 VA (AC)
Max. Continuous Dissipation	3.8 W at 20°C (68°F) ambient
Temperature Rise	50°C (90°F) at nominal coil voltage
Temperature	Max. 130°C (266°F) - Class B Max. 155°C (311°F) - Class F

GENERAL DATA

Life Expectancy Mechanical Electrical	Minimum operations 1 x 10 ⁶ 1 x 10 ⁵ at 30 A 120 VAC Res.
Operate Time (max)	30 ms at nominal coil voltage
Release Time (max)	30 ms at nominal coil voltage (with no coil suppression)
Dielectric Strength (at sea level for 1 min.)	4000 Vrms coil to contact 2000 Vrms between open contacts
Insulation Resistance	1000 megohms min. at 20°C, 500 VDC, 50% RH
Dropout	Greater than 5% of nominal coil voltage (DC) Greater than 15% of nominal coil voltage (AC)
Ambient Temperature Operating Storage	At nominal coil voltage -40°C (-40°F) to 85°C (185°F) - Class B -40°C (-40°F) to 105°C (221°F) - Class F -40°C (-40°F) to 130°C (266°F) - Class B -40°C (-40°F) to 155°C (311°F) - Class F
Vibration	0.062" DA at 10–55 Hz
Shock	
Operating	10 g, 11 ms, 1/2 sine (no false operation)
Non-Operating	100 g, 11 ms, 1/2 sine (no damage)
Enclosure	P.B.T. polyester
Terminals	Tinned copper alloy, Quick connect tabs Note: Allow suitable slack on leads when wiring, and do not subject the terminals to excessive force.
Weight	120 grams

NOTES

1. All values at 20°C (68°F).
2. Relay may pull in with less than "Must Operate" value.
3. Specifications subject to change without notice.



AMERICAN ZETTLER INC.

AZ2702

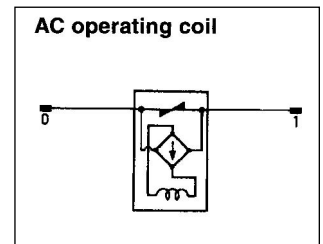
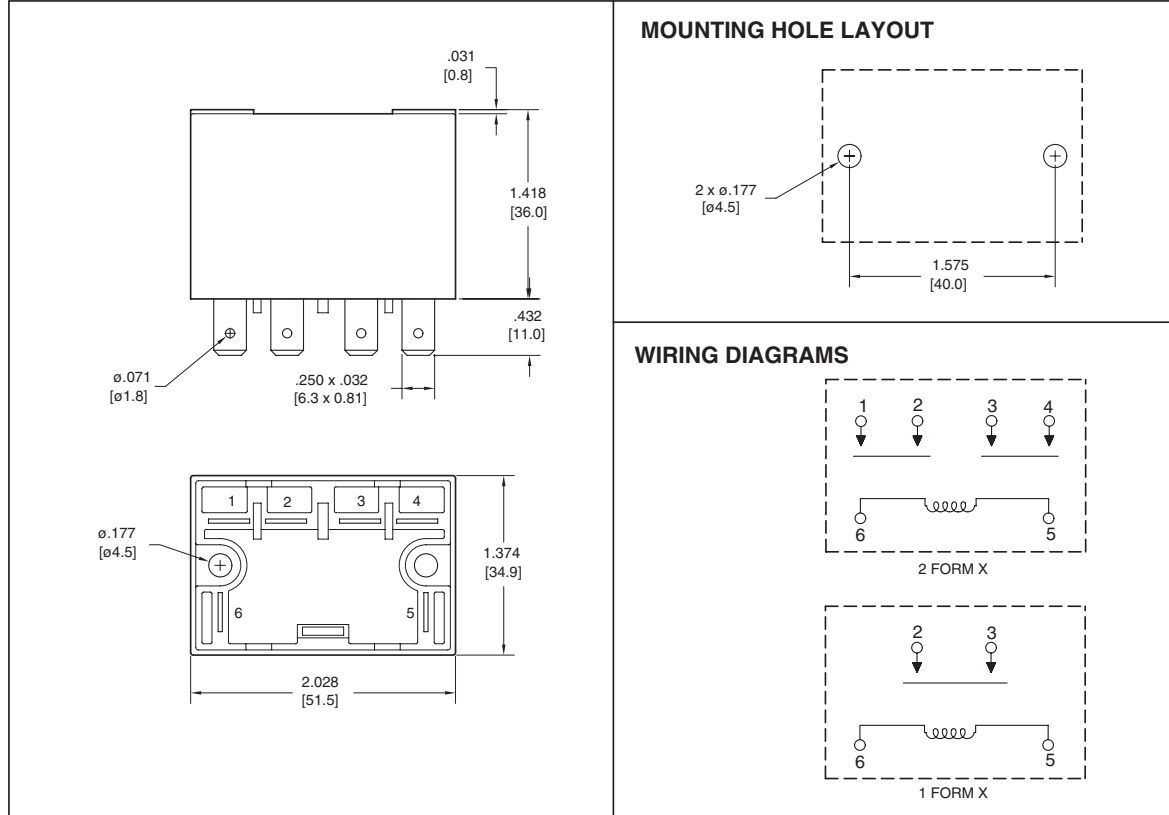
RELAY ORDERING DATA

COIL SPECIFICATIONS – DC COIL				ORDER NUMBER*	
Nominal Coil VDC	Must Operate VDC	Max. Continuous VDC	Coil Resistance $\pm 10\%$	1 Form X	2 Form X
3	2.25	4.2	4.7	AZ2702-1A-3D	AZ2702-2A-3D
6	4.50	8.4	18.8	AZ2702-1A-6D	AZ2702-2A-6D
12	9.00	16.8	75	AZ2702-1A-12D	AZ2702-2A-12D
24	18.00	33.7	300	AZ2702-1A-24D	AZ2702-2A-24D
48	36.0	67.5	1200	AZ2702-1A-48D	AZ2702-2A-48D
100	75.0	140.5	5200	AZ2702-1A-100D	AZ2702-2A-100D
110	82.5	154.7	6300	AZ2702-1A-110D	AZ2702-2A-110D
200	150.0	282.4	21000	AZ2702-1A-200D	AZ2702-2A-200D

COIL SPECIFICATIONS – AC COIL				ORDER NUMBER*	
Nominal Coil VAC	Must Operate VAC	Max. Continuous VAC	Coil Current mA $\pm 10\%$	1 Form X	2 Form X
6	4.80	6.6	319	AZ2702-1A-6A	AZ2702-2A-6A
12	9.60	13.2	160	AZ2702-1A-12A	AZ2702-2A-12A
24	19.2	26.4	80	AZ2702-1A-24A	AZ2702-2A-24A
48	38.4	52.8	40	AZ2702-1A-48A	AZ2702-2A-48A
120	96.0	132.0	23	AZ2702-1A-120A	AZ2702-2A-120A
220	176.0	242.0	10	AZ2702-1A-220A	AZ2702-2A-220A
240	192.0	264.0	9.2	AZ2702-1A-240A	AZ2702-2A-240A

*For epoxy sealed versions add suffix "E". For silver tin oxide add suffix "T" (UL approved for 1 Form X version only). For wide contact gap add suffix "W". For Class F add suffix "F".

MECHANICAL DATA



Dimensions in inches with metric equivalents in parentheses. Tolerance: $\pm .010$ "



AMERICAN ZETTLER, INC.