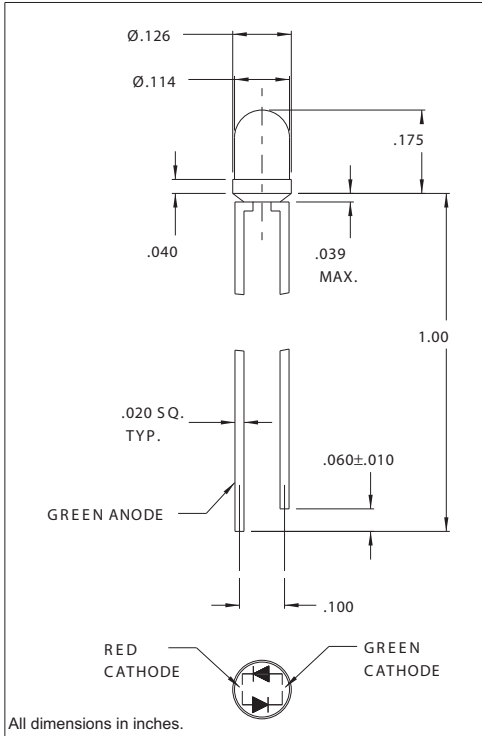




## 4301F1/5, F11/17, F15/17 Series Solid State LED Lamps Bi-Color Super Brite T-1 (3mm)

### DESCRIPTION AND FEATURES



- Dual chip
- Uniformity of output color
- Wide viewing angle
- White diffused

### ELECTRO-OPTICAL CHARACTERISTICS AND RATINGS

PART NUMBER	4301F1/5		4301F11/17		4301F15/17	
	Red	Green	Red	Yellow	Green	Yellow
Output Color	Red	Green	Red	Yellow	Green	Yellow
Diffusion	Diffused	Diffused	Diffused	Diffused	Diffused	Diffused
Package Color	White	White	White	White	White	White
Test Current (mA)	20	20	20	20	20	20
Forward Voltage Typ. (V)	1.8	2.1	2.0	2.1	2.2	2.1
Forward Voltage Max. (V)	2.4	2.8	2.0	2.1	2.5	2.5
Luminous Intensity Min. (mcd)	3.7	1.1	8.0	5.0	8.0	5.0
Luminous Intensity Typ. (mcd)	12.6	3.7	40	20	20	40
Rated Current (mA)	20	20	10	10	20	20
Peak Wavelength (nm)	660	565	625	590	565	590
Viewing Angle (degrees)	100	100	60	60	60	60
Power Dissipation (mW)	100	100	105	105	105	105
Continuous Forward Current Max. (mA)	30	40	30	30	25	30
Reverse Breakdown Voltage Min. (V)	5.0	5.0	5.0	5.0	5.0	5.0

147 Central Avenue  
 Hackensack, NJ 07601  
 Phone: (201) 489-8989  
 Fax: (201) 489-6911

18703 Dix Toledo Road  
 Brownstown, MI 48193

Saret Zone Franca, Edificio B  
 Alajuela Costa Rica

E-mail: sales@chml.com • Web Site: www.chml.com