



2620K and 2622K Series Non-Relampable Neon Indicator Lights



Description and Features

Mounting: Supplied with push-on speednut SN2089

Wire Leads: No. 22 AWG (105°C) 4.40"/4.80" long. Stripped 0.430"/0.570"

Lens: Polycarbonate

Housing: White Nylon

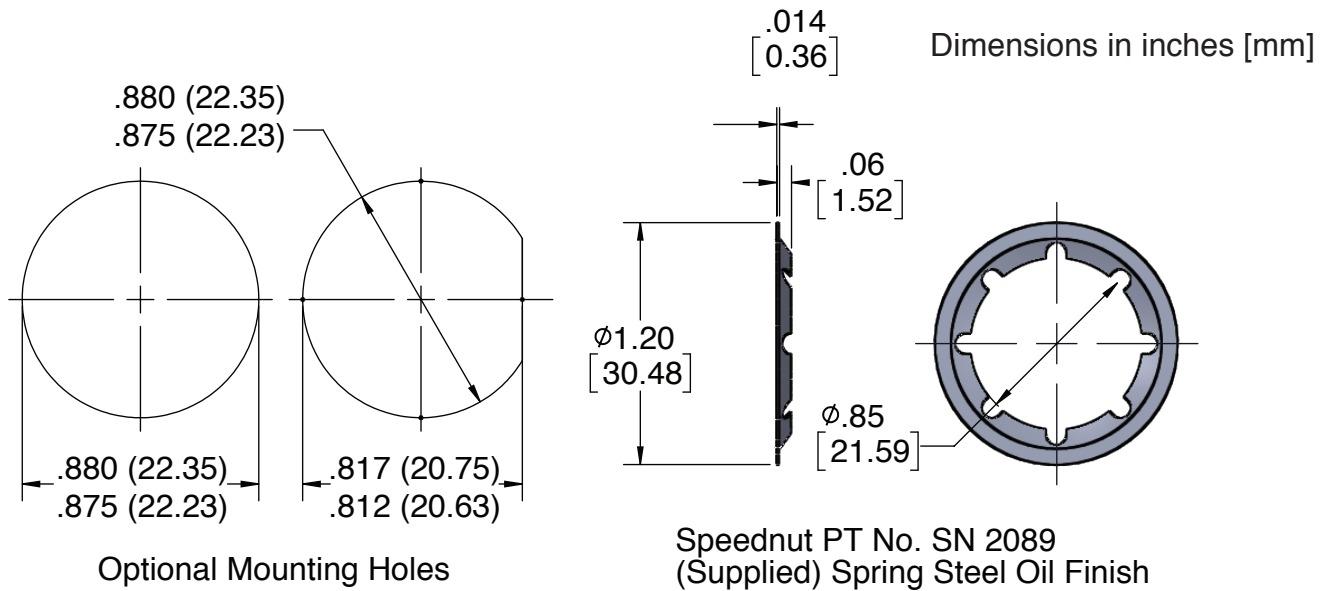
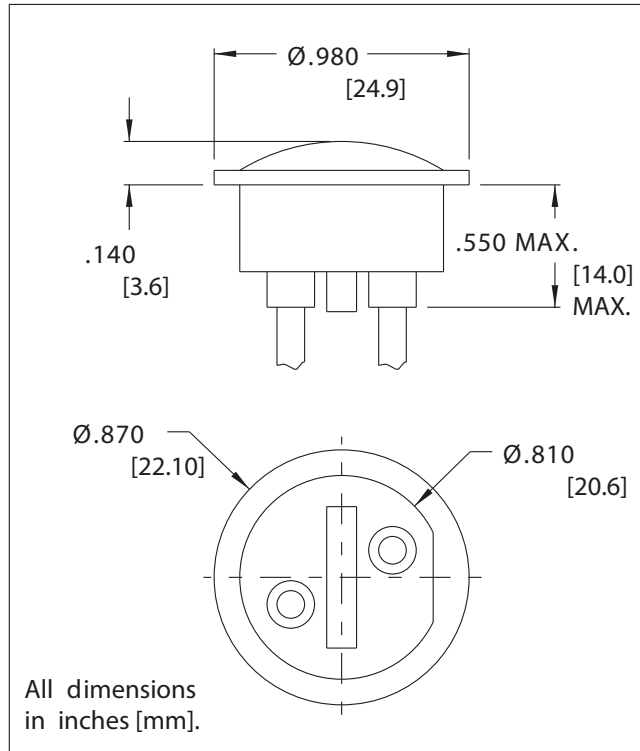
Underwriters Laboratories (UL) File No.E20356

Ordering Data

Lens Color	Neon
	Model No. (105-125VAC) Wire Leads
Red	2620K1
Amber	2620K3
Green	2622K5*
Lamp used	C2A+Resistor

*Incorporates G2B lamp and resistor

Product Dimensions



Compliances and Approvals

