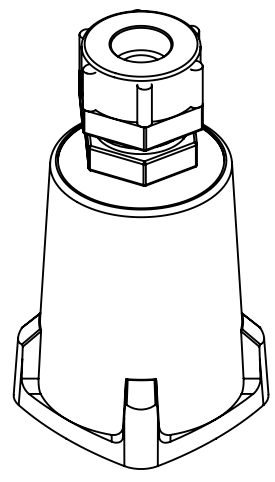
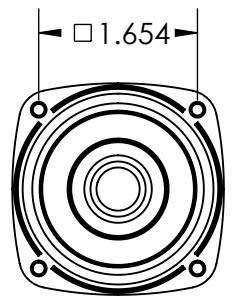
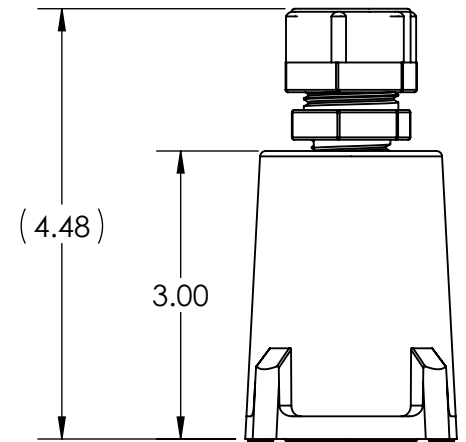
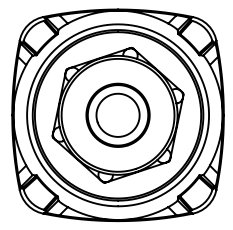



This drawing is the property of MELTRIC Corporation, Franklin (Milwaukee), Wisconsin, USA. Any unauthorized copying of this drawing by any means, ENG/RD/06 REV: 21 ISSUED DATE: 10/7/16 or disclosure of its contents to any person not authorized by MELTRIC Corporation or its agents to receive it, is strictly prohibited.

G F E D C B A

1
2
3
4
5
6



| PART NUMBER | CABLE RANGE |
|-------------|----------------|
| 711P0BP3 | .438" TO .500" |
| 711P0BP4 | .500" TO .562" |
| 711P0BP5 | .562" TO .625" |
| 711P0CP4 | .625" TO .750" |

| | | | |
|---|--|---|---------------------------------------|
| TOLERANCES UNLESS OTHERWISE SPECIFIED | |  A COMPANY OF MARÉCHAL ÉLECTRIC | |
| MACHINED SURFACES $\sqrt[125]{\text{MAX}}$ GROUND SURFACES $\sqrt[32]{\text{MAX}}$ ANGLE TOLERANCE $\pm 1^\circ$ REMOVE BURRS & SHARP EDGES TO .015 MAX. | ENGLISH 0.X ± 0.05 0.XX ± 0.01 0.XXX ± 0.005 | | |
| DIMENSIONS SHOWN IN OVALS ARE INSPECTION DIMENSIONS. | | SHEET: 1 OF 1 | PART NUMBER: 711P0xPx REVISION: _____ |