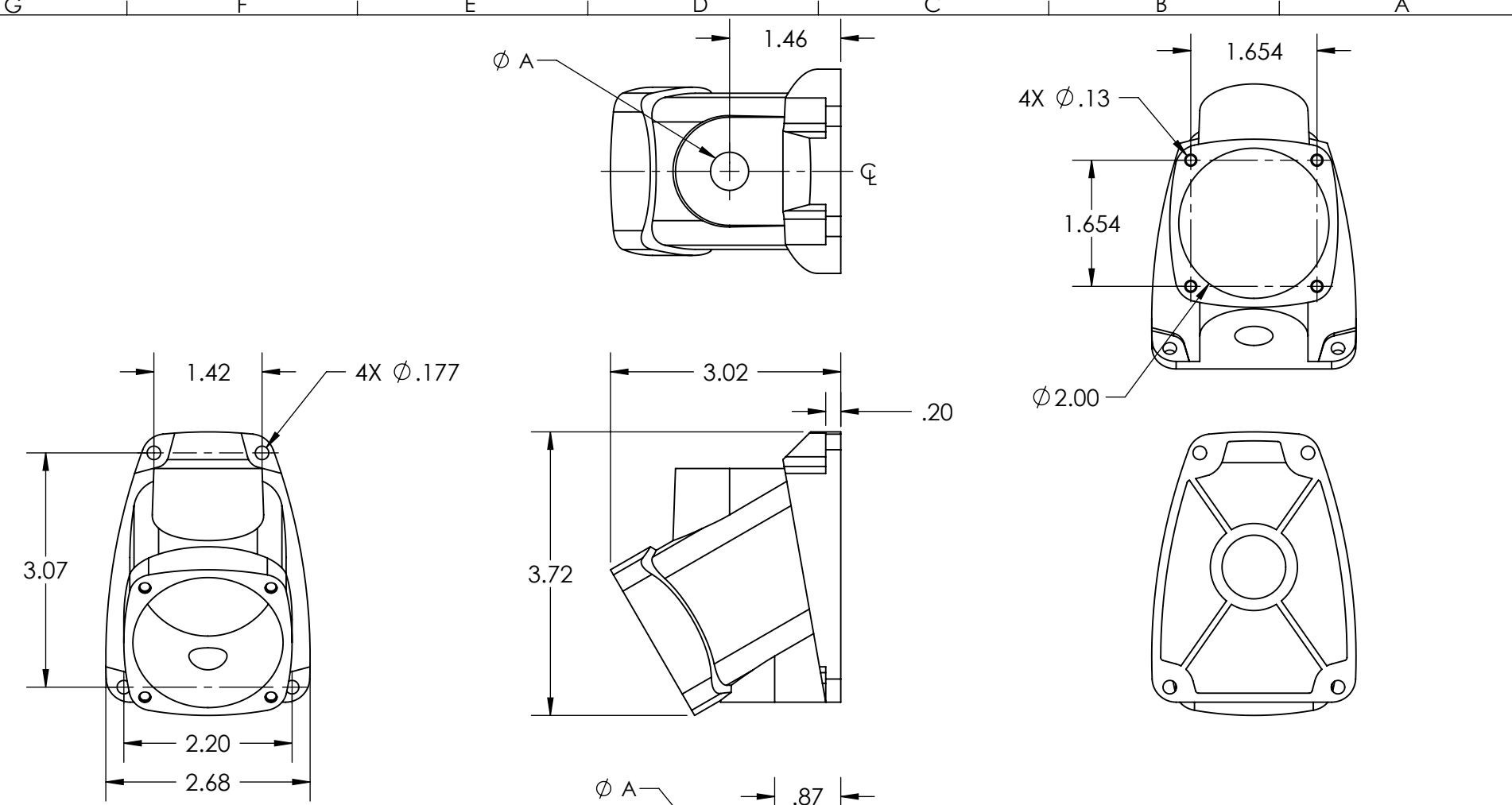


This drawing is the property of MELTRIC Corporation, Franklin (Milwaukee), Wisconsin, USA. Any unauthorized copying of this drawing by any means, ENG/RD/06 REV: 20 ISSUED DATE: 11/15/11 or disclosure of its contents to any person not authorized by MELTRIC Corporation or its agents to receive it, is strictly prohibited.



PART NUMBER	NPT "A"
511B3N05	1/2" NPT
511B3N07	3/4" NPT

INTERNAL VOLUME: 6.8 CUBIC INCHES.

TOLERANCES UNLESS OTHERWISE SPECIFIED

MACHINED SURFACES #error: broken link  
GROUND SURFACES #error: broken link  
ANGLE TOLERANCE ±1°  
REMOVE BURRS & SHARP EDGES TO .015 MAX.

**ENGLISH**

0.X ±0.05  
0.XX ±0.01  
0.XXX ±0.005

DIMENSIONS SHOWN IN OVALS ARE INSPECTION DIMENSIONS.

**MELTRIC**  
A COMPANY OF MARECHAL ELECTRIC

DRAWN	APPROVED	DRAWING TITLE:	
DATE:		SCALE	MATERIAL:
SHEET:		NTS	BLUE POLY
1 OF 1		PART NUMBER	REVISION
		511B3Nxx	