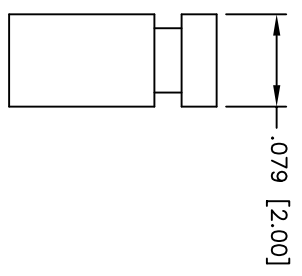
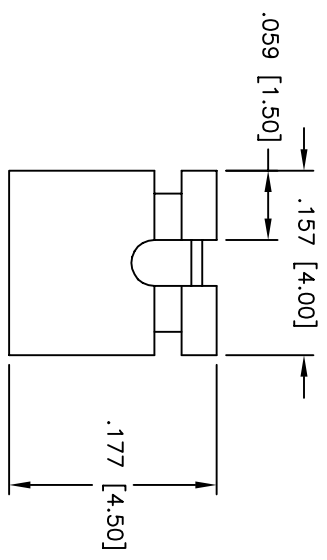
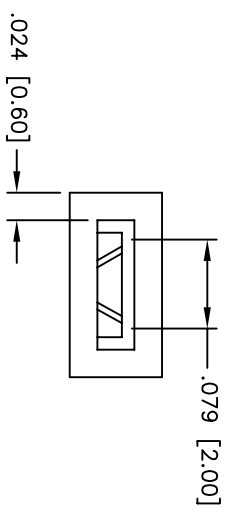


Rev	AWO #	Description	Date	Appr
-		RELEASED	4/1/05	

APPROVED: _____
 DATE: _____ TITLE: _____



SPECIFICATIONS:

Material: Insulator: PBT, glass reinforced, rated UL 94V-0
 Insulator color: Black
 Contacts: Phosphor Bronze
 Plating:
 G = Gold flash over Nickel underplate overall
 T = Tin over Copper underplate overall
 Electrical:
 Operating voltage: 250 VAC max
 Current rating: 1 Amp max
 Contact resistance: 20 mohms max
 Insulation resistance: 5,000 Mohms min
 Dielectric withstanding voltage: 1,000 VAC for 1 minute
 Temperature Rating:
 Operating temperature: -55°C to +105°C
 Environmental:
 Lead free, RoHS compliant



ADAM TECH

909 Rahway Avenue, Union, NJ 07083
 Phone: 908-687-5000 Fax: 908-687-5710

TITLE: .079 [2.00] MINI SHUNT, OPEN TOP
 .177 [4.50] HEIGHT

UNLESS OTHERWISE SPECIFIED ALL DIMENSIONS ARE INCHES [MM]	
TOLERANCES: EXCEPT AS NOTED	
INCHES	HOLDS
.X ± .10	ØX ± .10
.XX ± .020	ØXXX ± .015
.XXX ± .015	ØXXX ± .010
APPROVALS	DATE
DRAWN SS	4/1/05
CHECKED	
APPROVED	

SIZE X	PART NO. MS2A-X	SCALE: NTS	SHEET 1 OF 1
REV. -			