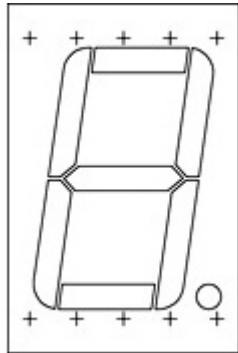




We Tame Photons to Work for You!



Products > LED Displays > Thru-Hole > Numeric > Single Digit > Standard > .56" > Standard > 8mm x 19mm



Features / Options

- ▶ Standard and high brightness chips
- ▶ Intensity grading available
- ▶ Custom Sizes at minimal tooling
- ▶ Face and segment off colors in grey and milky white
- ▶ Standard and High Brightness Chips
- ▶ Intensity Grading Available
- ▶ Custom Sizes Available
- ▶ Face and segment off colors in gray and milky white

Applications / Uses

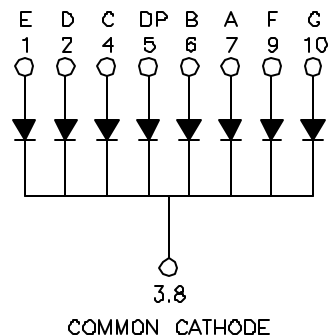
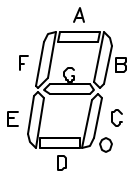
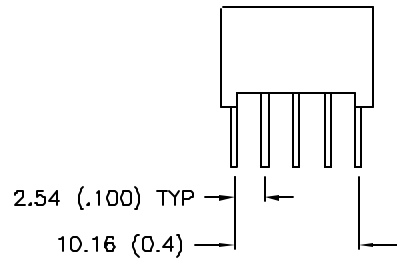
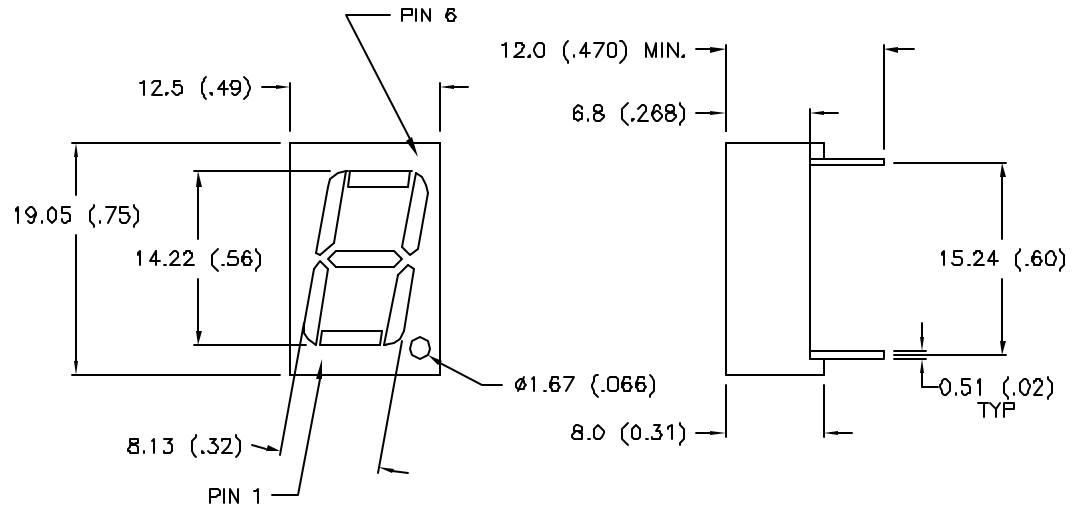
- ▶ Test Instruments
- ▶ Diagnostic equipment
- ▶ Instrument and control panels
- ▶ Monitoring displays

Part Number:	Wavelength	Intensity mcd @ 10mA	Color	Common Pin	Face	Segment		
LDS-A512RI	565	2250	Green	(+)	Grey	White		—
LDS-A512RI-SUG	574	7000	Green	(+)	Grey	White		—
LDS-A514RI	635	3900	Red	(+)	Grey	White		—
LDS-A514RI	635	2500	Red	(+)	Grey	White		—
LDS-A514RI-SI	636	15000	Red	(+)	Grey	White		—
LDS-A516RI	660	12000	Red	(+)	Grey	White		—
LDS-A516RI	660	8000	Red	(+)	Grey	White		—
LDS-A517RI-USB	470	6000	Blue	(+)	Grey	White		—
LDS-C512RI	565	2500	Green	(-)	Grey	White		—
LDS-C512RI-SUG	574	7000	Green	(-)	Grey	White		—

LDS-C514RI		635	2500	Red	(-)	Grey	White		—
LDS-C514RI-SI		636	15000	Red	(-)	Grey	White		—
LDS-C516RI		660	8000	Red	(-)	Grey	White		—
LDS-C517RI-USB		470	6000	Blue	(-)	Grey	White		—

DATE	REVISIONS	REV
10-4-96	E.C.N. #10255./	A

DRAWING NUMBER	REV
LDS-C514RI	A



ELECTRO-OPTICAL CHARACTERISTICS $T_A=25^{\circ}\text{C}$ $I_f=20\text{mA}$

PARAMETER	MIN	TYP	MAX	UNITS	TEST COND
PEAK WAVELENGTH		635 (RED)		nm	
FORWARD VOLTAGE		2.1	2.8	V_f	
REVERSE VOLTAGE	5.0			V_r	$I_f=100\mu\text{A}$
AXIAL INTENSITY		3900		ucd	$I_f=20\text{mA}$
EMITTED COLOR	RED				
EPOXY SEGMENT	MILKY WHITE DIFFUSED				
FONT COLOR	GRAY				

LIMITS OF SAFE OPERATION PER SEGMENT AT 25°C

PARAMETER	MAX	UNITS
PEAK FORWARD CURRENT*	150	mA
STEADY CURRENT	30	mA
POWER DISSIPATION	105	mW
DERATE FROM 25°C	-1.6	$\text{mW}/^{\circ}\text{C}$
OPERATING, STORAGE TEMP	-4D TO +85	$^{\circ}\text{C}$
LEAD SOLDERING TEMP	+260	$^{\circ}\text{C}$
2.0mm FROM BODY		3 SEC. MAX

* $t < 10\mu\text{s}$

CONFIDENTIAL INFORMATION
 THE INFORMATION CONTAINED IN THIS DOCUMENT IS THE PROPERTY OF LUMEX OPTO COMPONENTS, INC. EXCEPT AS SPECIFICALLY AUTHORIZED IN WRITING BY LUMEX OPTO COMPONENTS, INC., THE HOLDER OF THIS DOCUMENT SHALL KEEP ALL INFORMATION CONTAINED HEREIN CONFIDENTIAL AND SHALL PROTECT SAME IN WHOLE OR IN PART FROM DISCLOSURE AND DISSEMINATION TO ALL THIRD PARTIES.

DATE: 9-5-95	DWN:	CHK'D:	APPD:
SCALE: N/A			

.56" SINGLE DIGIT, SEVEN SEGMENT DISPLAY,
635nm, RED

PAGE 1 OF 1	DRAWING NUMBER LDS-C514RI	REV A
-------------	------------------------------	----------

ns/ex