



We Tame Photons to Work for You!



For:

Products > LEDs > Thru-Hole > Round > 3mm > Mechanical Features > Short Lens



Features / Options

- ▶ State-of-the-Art, High Brightness Chip Technology
- ▶ Choice of Colors and Lens Finishes
- ▶ Lead Frame / Lens Casting Reliability
- ▶ Easy-to-Solder Leads, Tin Finish
- ▶ Available Bulk or on Tape and Reel
- ▶ Lead Trimming and Forming Available
- ▶ Custom Shapes, Easily Tooled, Low Minimum

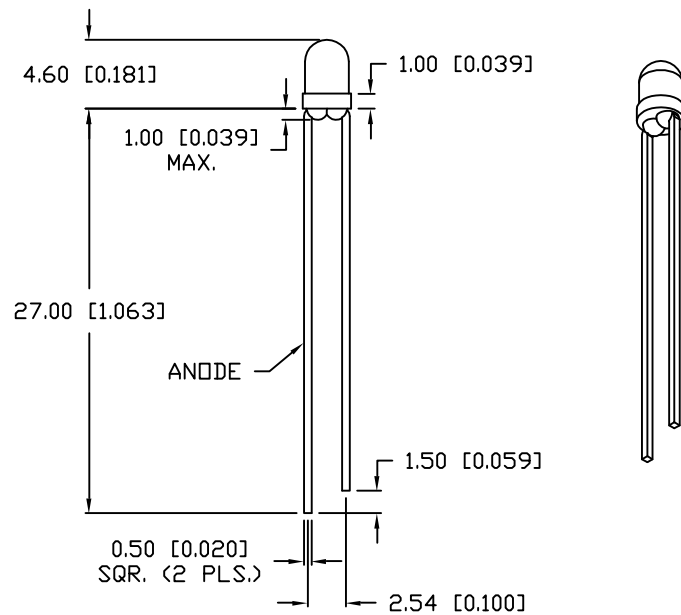
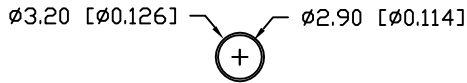
Applications / Uses

- ▶ Board or Panel Indication or Illumination
- ▶ Annunciator and Control Panels
- ▶ Telecom Switches and Central Station Equipment
- ▶ Large Panel Indicators

Part Number:	Brightness	Dice Material	Emitted Color	Peak Wavelength	Epoxy Lens	Operating Typ Vf (V)	Intensity Typ, mcd @ 20 mA	View Angle 2x Theta		
SSL-LX3044AC	STANDARD	GaAsP	Amber	605	Clear	2.1	80	30		—
SSL-LX3044AD	STANDARD	GaAsP	Amber	605	Diffused	2.1	15	60		—
SSL-LX3044GC	STANDARD	GaP	Green	565	Clear	2.1	100	30		—
SSL-LX3044GD	STANDARD	GaP	Green	565	Diffused	2.1	40	60		—
SSL-LX3044HC	STANDARD	GaP	Red	700	Clear	2.0	25	30		—
SSL-LX3044HD	STANDARD	GaP	Red	700	Diffused	2.0	6	60		—
SSL-LX3044IC	STANDARD	GaAsP	Red	635	Clear	2.0	125	30		—
SSL-LX3044ID	STANDARD	GaAsP	Red	635	Diffused	2.0	30	60		—
SSL-LX3044OD	STANDARD	GaP	Orange	630	Diffused	2.0	30	60		—
SSL-LX3044PGC	STANDARD	GaP	Green	555	Clear	2.1	15	30		—

SSL-LX3044PGD		STANDARD	GaP	Green	555	Diffused	2.1	20	60		—
SSL-LX3044SGC		STANDARD	GaP	Green	565	Clear	2.1	200	30		—
SSL-LX3044SGD		STANDARD	GaP	Green	565	Diffused	2.1	50	60		—
SSL-LX3044SIC		HIGH	AlInGaP	Red	636	Clear	2.0	1800	30		—
SSL-LX3044SID		HIGH	AlInGaP	Red	636	Diffused	2.0	100	60		—
SSL-LX3044SOC		HIGH	AlInGaP	Orange	610	Clear	2.0	1000	30		—
SSL-LX3044SOD		HIGH	AlInGaP	Orange	610	Diffused	2.0	100	60		—
SSL-LX3044SRC		STANDARD	GaAlAs	Red	660	Clear	1.8	500	30		—
SSL-LX3044SRC/B		STANDARD	GaAlAs	Red	660	Clear	1.7	360	30		—
SSL-LX3044SRD		STANDARD	GaAlAs	Red	660	Diffused	1.8	80	60		—
SSL-LX3044SUGC		HIGH	AlInGaP	Green	574	Clear	2.2	1000	30		—
SSL-LX3044SUGD		HIGH	AlInGaP	Green	574	Diffused	2.2	60	60		—
SSL-LX3044SYC		HIGH	AlInGaP	Yellow	590	Clear	2.0	1000	30		—
SSL-LX3044SYD		HIGH	AlInGaP	Yellow	590	Diffused	2.0	100	60		—
SSL-LX3044USBC		HIGH	InGaN	Blue	470	Clear	3.5	1000	30		—
SSL-LX3044USBD		HIGH	InGaN	Blue	470	Diffused	3.5	80	60		—
SSL-LX3044UWC		HIGH	InGaN	White	-	Clear	3.5	800	20		—
SSL-LX3044YC		STANDARD	GaAsP	Yellow	585	Clear	2.1	90	30		—
SSL-LX3044YD		STANDARD	GaAsP	Yellow	585	Diffused	2.1	40	60		—

CAUTION: STATIC SENSITIVE DEVICE
FOLLOW PROPER E.S.D. HANDLING PROCEDURES
WHEN WORKING WITH THIS PART.



ELECTRO-OPTICAL CHARACTERISTICS $T_A=25^{\circ}\text{C}$ $I_f=20\text{mA}$

PARAMETER	MIN	TYP	MAX	UNITS	TEST COND
PEAK WAVELENGTH		470		nm	
FORWARD VOLTAGE		3.5	4.0	V_f	
REVERSE VOLTAGE	5.0			V_r	$I_r=100\mu\text{A}$
AXIAL INTENSITY		1000		mcd	$I_f=20\text{mA}$
VIEWING ANGLE		30		2x theta	
EMITTED COLOR:	BLUE				
EPOXY LENS FINISH:	WATER CLEAR				

LIMITS OF SAFE OPERATION AT 25°C

PARAMETER	MAX	UNITS
PEAK FORWARD CURRENT*	98	mA
STEADY CURRENT	30	mA
POWER DISSIPATION	100	mW
DERATE FROM 25°C	-1.6	$\text{mW}/^{\circ}\text{C}$
OPERATING, STORAGE TEMP.	-40 TO +85	$^{\circ}\text{C}$
SOLDERING TEMP.	+260	$^{\circ}\text{C}$
2.0mm FROM BODY		3 SEC. MAX

* $t < 10\mu\text{s}$

*UNLESS OTHERWISE SPECIFIED TOLERANCES PER DECIMAL PRECISION ARE: X=±1 (±0.039), X.X=±0.5 (±0.020), X.XX=±0.25 (±0.010), X.XXX=±0.127 (±0.005). LEAD SIZE=±0.05 (±0.002), LEAD LENGTH=±0.75 (±0.030). MIN= +DECIMAL PRECISION -0.00, MAX.= +0.00 -DECIMAL PRECISION

REV.

PART NUMBER
SSL-LX3044USBC

CONFIDENTIAL INFORMATION
THE INFORMATION CONTAINED IN THIS DOCUMENT IS THE PROPERTY OF LUMEX INC. EXCEPT AS SPECIFICALLY AUTHORIZED IN WRITING BY LUMEX INC., THE HOLDER OF THIS DOCUMENT SHALL KEEP ALL INFORMATION CONTAINED HEREIN CONFIDENTIAL AND SHALL PROTECT SAME IN WHOLE OR IN PART FROM DISCLOSURE AND DISSEMINATION TO ALL THIRD PARTIES.



T-3mm (T-1) 470nm ULTRA SUPER BLUE LED,
WATER CLEAR LENS.

RELIABILITY NOTE
OUR MANY YEARS OF EXPERIENCE DATA ACCUMULATION INDICATE THAT SOLDER HEAT IS A MAJOR CAUSE OF EARLY AND FUTURE FAILURE. PLEASE PAY ATTENTION TO YOUR SOLDERING PROCESS.

DRAWN BY: BC	CHECKED BY:	APPROVED BY:	DATE: 4.10.01
			PAGE: 1 OF 1
			SCALE: N/A