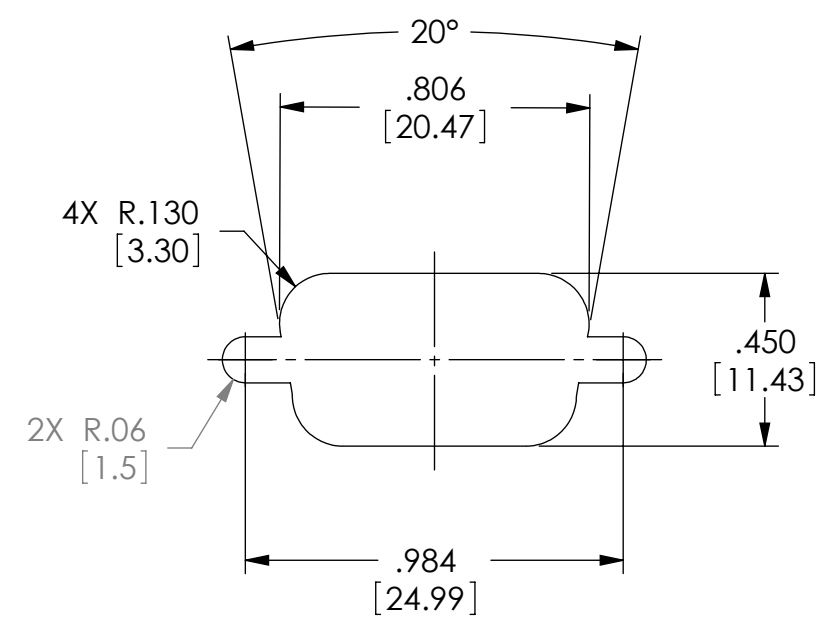
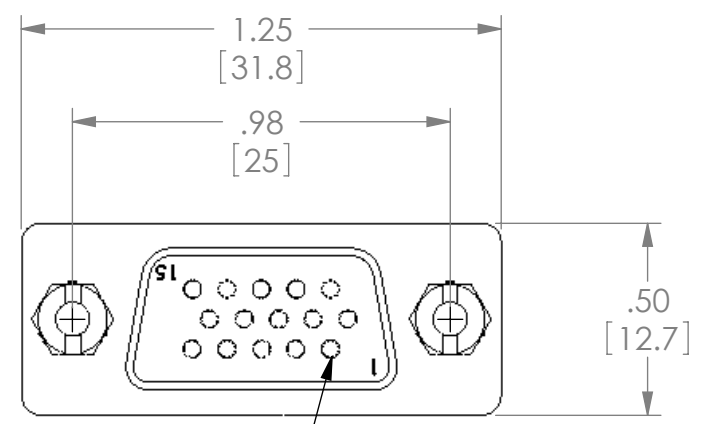
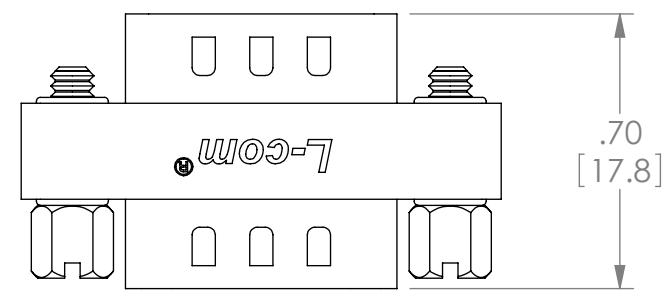


THE INFORMATION CONTAINED IN THIS DRAWING IS THE SOLE PROPERTY OF L-COM, INC. ANY REPRODUCTIONS IN PART OR WHOLE WITHOUT THE WRITTEN PERMISSION OF L-COM, INC. IS PROHIBITED.

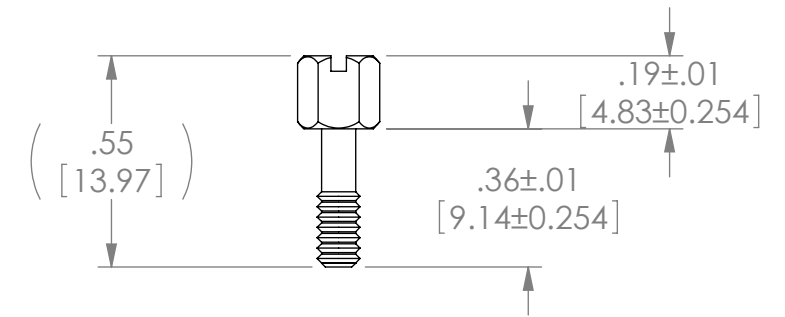
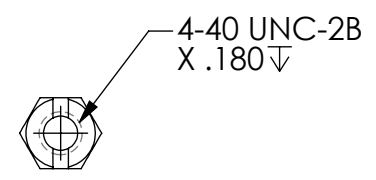
REVISIONS			
REV	DESCRIPTION	DATE	CHANGED BY
F	ECN 4564: ADDED ROHS, UPDATED DRAWING AND NEW FORMAT	2/17/10	D.FRISIELLO



RECOMMENDED PANEL OPENING  
(MAX PANEL THICKNESS: 0.06")



PIN 1



JACKSCREW SPECIFICATION

**NOTES:**

**MATERIAL:**  
SHELL: STEEL  
PINS: COPPER ALLOY  
HARDWARE: BRASS  
INSULATOR: PBT FIBER REINFORCED (UL94V-0 RATED)

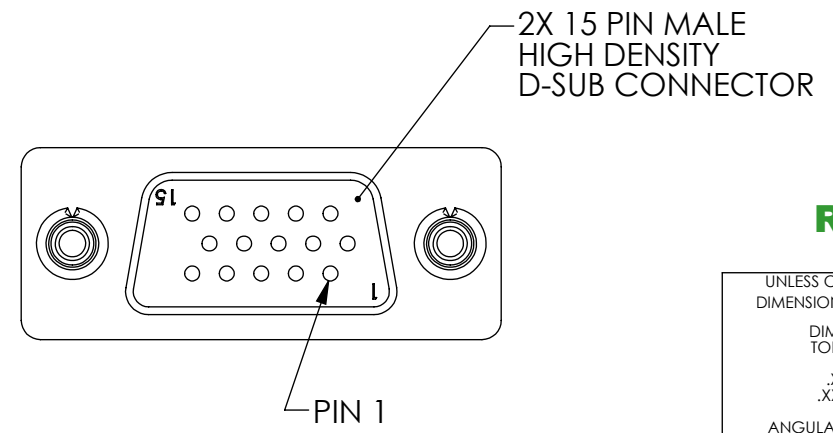
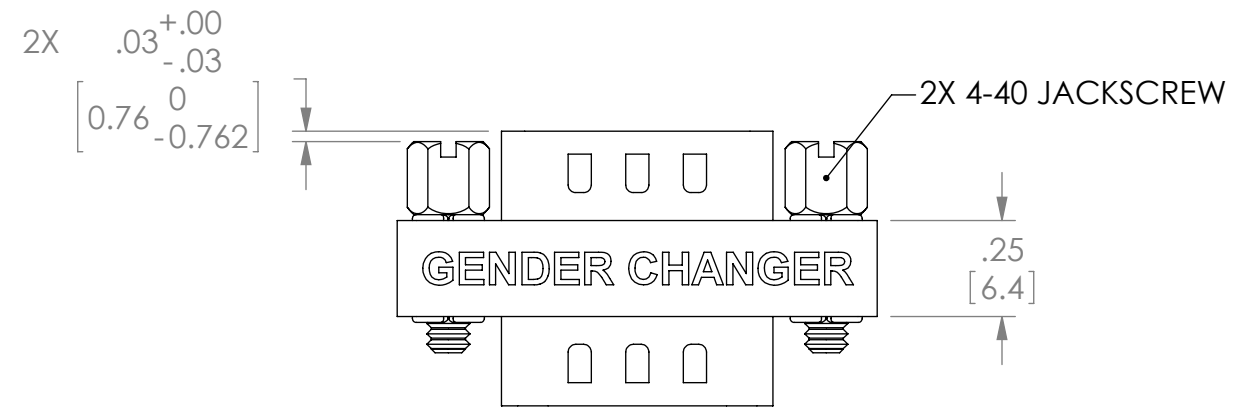
**FINISH:**  
SHELL: TIN/NICKEL PLATED  
PINS: GOLD FLASH PLATED  
HARDWARE: NICKEL PLATED

**ELECTRICAL:**  
CURRENT RATING: 3 AMP

**MISCELLANEOUS:**  
OPERATING TEMPERATURE RANGE: -55°C TO +105°C.  
ALL PINS ARE WIRED STRAIGHT THROUGH.  
COMPONENT SHALL BE TESTED FOR CONTINUITY.

**LABELING:**  
PANTONE 2945 BLUE. "L-COM" FONT MyriaMM ITALIC.  
"GENDER CHANGER" FONT ARIAL BOLD, TEXT HEIGHTS; .085"  
TEXT COLOR; WHITE.

**PACKAGING:**  
COMPONENT SHALL BE INDIVIDUALLY PACKAGED IN ACCORDANCE WITH L-COM SPECIFICATION PS-0031.



PIN 1

**RoHS Compliant** ✓

UNLESS OTHERWISE SPECIFIED, DIMENSIONS ARE IN INCHES [mm]

DIMENSIONAL TOLERANCES:  
.X = ±.1  
.XX = ±.01  
.XXX = ±.005

ANGULAR TOLERANCES:  
ALL = ± 1°

PROJECTION

APPROVALS	DATE
DRAWN BY D.PARHAM	11/08/2001
CHECKED BY T.CLARK	11/08/2001
APPROVED BY R.CARRICK	11/08/2001

CONFIGURATION DETAILS OF UNDIMENSIONED FEATURES MAY VARY

COLOR VARIATIONS MAY OCCUR

		45 BEECHWOOD DRIVE NORTH ANDOVER, MA 01845	
CATEGORY D-SUBMINIATURE			
PRODUCT DESCRIPTION GENDER CHANGER, HD15 MALE/MALE			
SIZE <b>B</b>	FSCM NO. <b>43321</b>	DWG. NO. <b>DGBH15M</b>	REV. <b>G</b>
SCALE: 2:1		CAD FILE: DGBH15M.SLDDRW	SHEET 1 OF 1