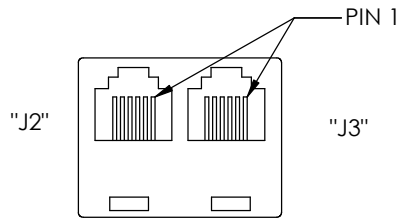
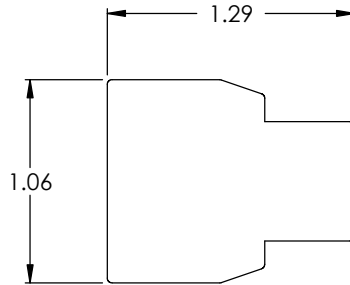
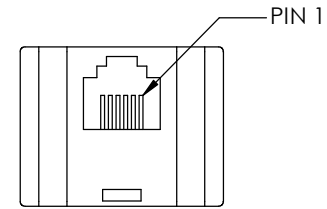
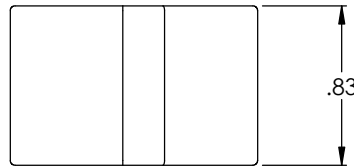


THE INFORMATION CONTAINED IN THIS DRAWING IS THE SOLE PROPERTY OF L-COM, INC. ANY REPRODUCTION IN PART OR WHOLE WITHOUT THE WRITTEN PERMISSION OF L-COM, INC. IS PROHIBITED.

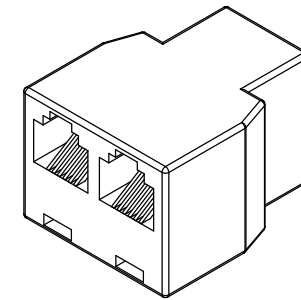
REVISIONS			
REV	DESCRIPTION	DATE	APPROVED
A	RELEASED FOR PRODUCTION	3/28/01	DFP
B	REVISED PER ECN 1103	4/5/02	DFP
C	ECN1629: ADDED COMPONENT SPECIFICATION TABLE	12/31/03	DFP



2X RJ12 JACKS
(6X6)



RJ12 JACK
(6X6)



Component Specification	
Material	
Housing	ABS, UL94V-0 compliant, Color: Ivory
Contacts	Phosphor Bronze
Contact Plating	Gold, 30 pinches over nickel plating
Design	
Jack	Compliant to mechanical requirements of FCC 68.5 Subpart F
Electrical	
1.5	2 Amp (max)
Dielectric withstanding Voltage	100Vrms, 60Hz, 1 minute
Insulation Resistance	10 M ohms
Environmental	
Operating Temperature Range	0°C to +60°C
Humidity	5 to 95% non-condensing
Application	
Rating	Category 3
Wiring	Straight-through
Insertion/Extraction Life	1000 Cycles

CS-193

WIRING CHART		
"J1"	"J2"	"J3"
1	1	1
2	2	2
3	3	3
4	4	4
5	5	5
6	6	6

UNLESS OTHERWISE SPECIFIED,
DIMENSIONS ARE IN INCHES
TOLERANCES ARE:
.X ±.1
.XX ±.05
.XXX ±.005
CABLE LENGTH TOLERANCE
<300" ±5% >300" ±2%

APPROVALS	DATE
DRAWN BY D. PARHAM	3/28/2001
CHECKED BY T. CLARK	3/21/2001
APPROVED BY C. McCORMICK	3/28/2003

CONFIGURATION DETAILS OF
UNDIMENSIONED FEATURES
MAY VARY

L-com
CONNECTIVITY
PRODUCTS

45 BEECHWOOD DRIVE
NORTH ANDOVER, MA
01845

PRODUCT DESCRIPTION
RJ12 MODULAR TEE

DRAWING TITLE
OUTLINE DRAWING

SIZE	FSCM NO.	DWG. NO.	REV.
A	43321	TDS1039-6C-OD1	C
SCALE: NONE		CAD FILE: TDS1039-6C-OD1.SLDDRW	SHEET 1 OF 1