

SC-232-C

RS232 to RS485/RS422 Port-powered Converter

Product Overview:

The SC-232-C is a port-powered serial converter that converts TxD and RxD RS232 to RS485/422 signals. Additional features include; automatic Send Data Control (SDC) which automatically enables the RS485 driver when data is present on the RS232 side.

- Plug and play, easy to install
- Port-powered, no external power supply is required
- Supports RS232 to RS485 or RS232 to RS422 conversion
- Low power consumption
- Automatic Send Data Control (SDC), auto distinguishes and senses direction of data transfer

Environmental:

Operating temperature: -40°C ~ +85°C

Relative humidity: 5% to 95%

Power:

Input power: No power supply needed, powered from TXD, RTS, DTR signal in RS232 port

Consumption: less than 10mA

Dimensions:

L*W*H 87mm x 33mm x 17mm (with the terminal block)

Housing: Plastic

Weight: 36g (with the terminal block)

Communication

| | |
|------------------|---|
| Standard | Accord EIA RS232, RS485, RS422 standard |
| RS232 signal | TX, RX, GND |
| RS485 signal | A+, B-, GND |
| RS422 signal | TX+,RX+,TX-,RX-,GND |
| Operating format | A synchronism, point to point or multi point, 2 wire half-duplex, 4 line duplex |
| Direction | Automatic send data control, auto distinguish and sense direction data transfer |
| Band rate | 300-115,200 bps, auto sense serial signal rate |
| Loading | can order 128 point |
| Transmission | RS485 side 1500M(9600bps) |
| Port protection | 600W surge protection, 15KV static protection |

PIN Setting

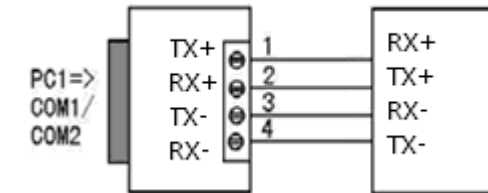
| Terminal | RS485 | | | | | RS232 | |
|----------|-------|-------|-------|-------|-------|------------|-------|
| | Pin 1 | Pin 2 | Pin 3 | Pin 4 | Pin 5 | DB9 female | RS232 |
| Define | A+ | | B- | | GND | Pin 2 | RXD |
| RS485 | 485+ | | 485- | | GND | Pin 3 | TXD |
| RS422 | TX+ | RX+ | TX- | RX- | GND | Pin 5 | GND |

The SC-232-C interface converter supports following communication modes:

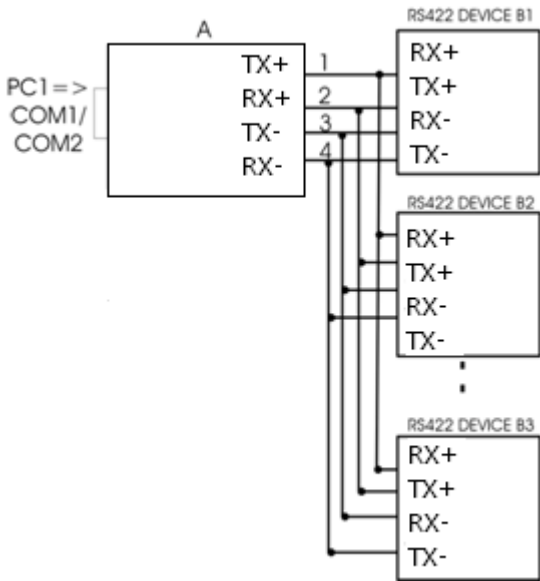
1. Point to point/4 wire full duplex
2. Point to multi-point/4 wire full duplex
3. Point to point/dual-line half duplex
4. Point to multi-point/ dual-line half duplex

RS232 to RS422 conversion

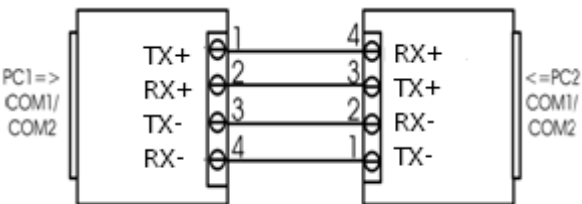
RS422 point to point/4 wire full duplex communication



RS422 point to multi-point/4 wire full duplex

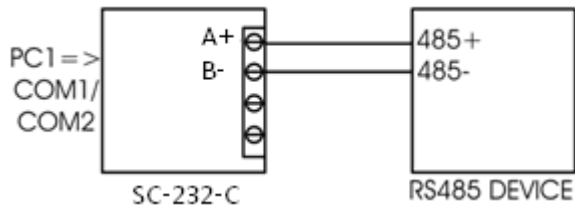


Full duplex communication connection between SC-232-C interface converters

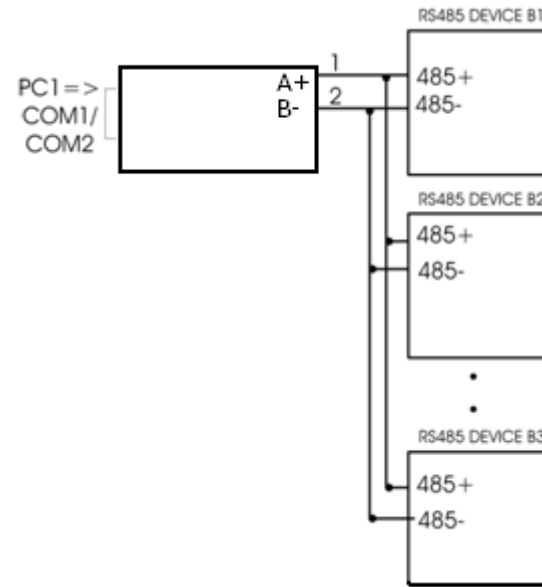


RS232 to RS485 conversion

RS485 point to point/ dual-line half duplex



RS485 point to multi-point /dual-line half duplex



Half duplex communication connection between SC-232-C interface converters

