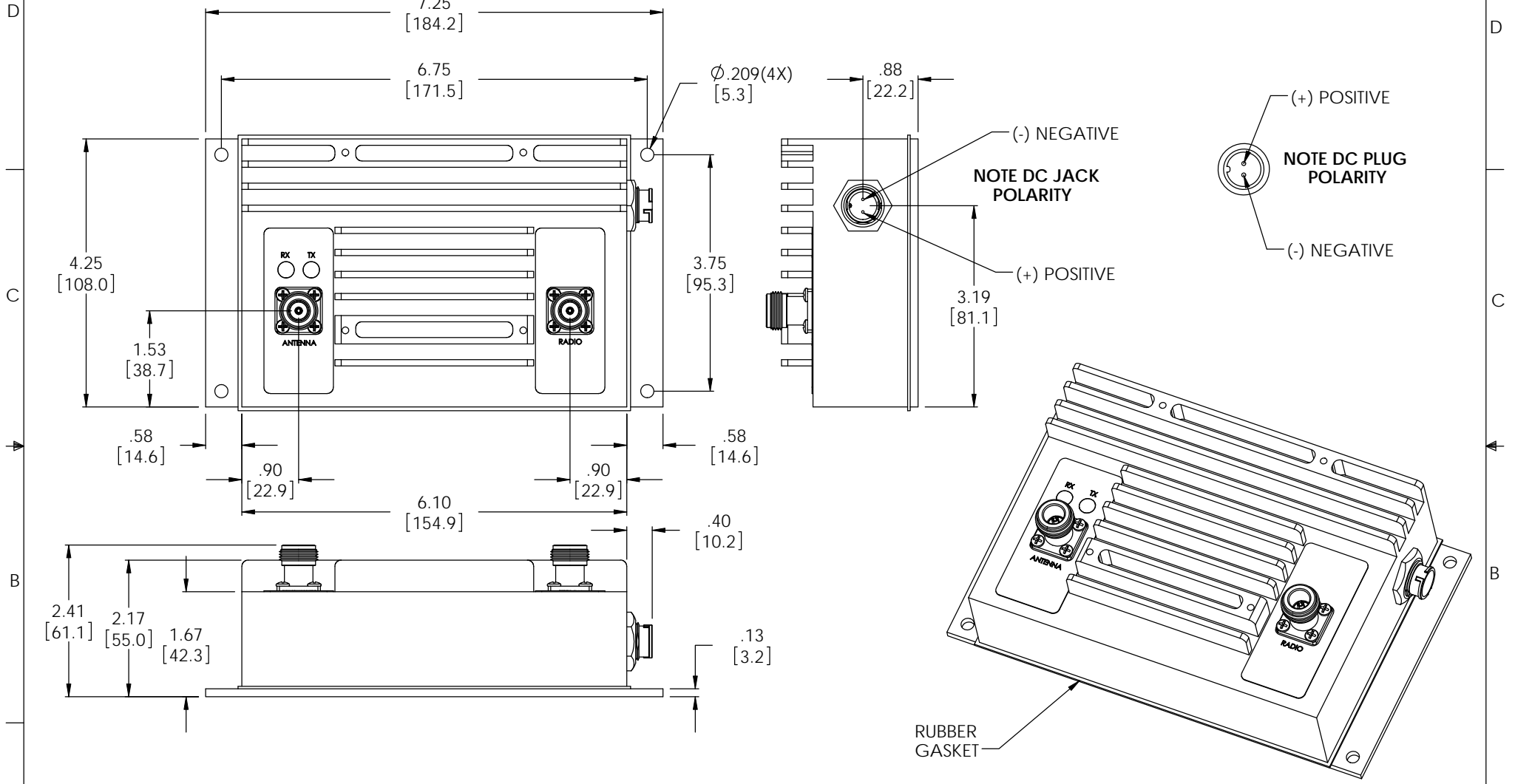


THE INFORMATION CONTAINED IN THIS DRAWING IS THE SOLE PROPERTY OF L-COM, INC. ANY REPRODUCTION IN PART OR WHOLE WITHOUT THE WRITTEN PERMISSION OF L-COM, INC. IS PROHIBITED.

REVISIONS			
REV	DESCRIPTION	DATE	APPROVED
A	Initial Release	05/13/10	B.Puchaski



UNLESS OTHERWISE SPECIFIED, DIMENSIONS ARE IN INCHES [mm]  DIMENSIONAL TOLERANCES: .X = ±.1 .XX = ±.01 .XXX = ±.005  ANGULAR TOLERANCES: ALL = ± 1°  PROJECTION	APPROVALS DRAWN BY <b>B.Puchaski</b>	DATE 05/13/10		45 BEECHWOOD DRIVE NORTH ANDOVER, MA 01845	
	CHECKED BY <b>M.Audas</b>	DATE 05/13/10		CATEGORY <b>CATALOG</b>	
	APPROVED BY <b>M.Audas</b>	DATE 05/13/10	PRODUCT DESCRIPTION <b>4.2 x 6.1 Hi-Pwr Indoor Amp Enclosure</b>		
	CONFIGURATION DETAILS OF UNDIMENSIONED FEATURES MAY VARY	SIZE <b>A</b>	FSCM NO. <b>43321</b>	DWG. NO. <b>HA-42611</b>	REV. <b>A</b>