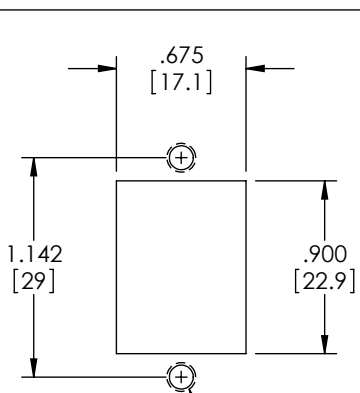


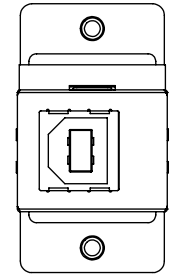
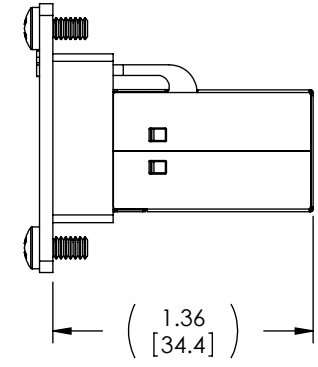
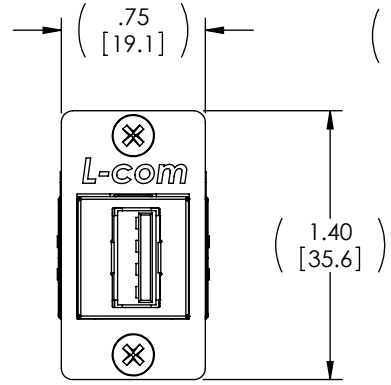
THE INFORMATION CONTAINED IN THIS DRAWING IS THE SOLE PROPERTY OF L-COM, INC. ANY REPRODUCTION IN PART OR WHOLE WITHOUT THE WRITTEN PERMISSION OF L-COM, INC. IS PROHIBITED.

REVISIONS			
REV	DESCRIPTION	DATE	APPROVED
A	INITIAL RELEASE	12/2/10	D.GRIFFIN
-	-	-	-
-	-	-	-
-	-	-	-

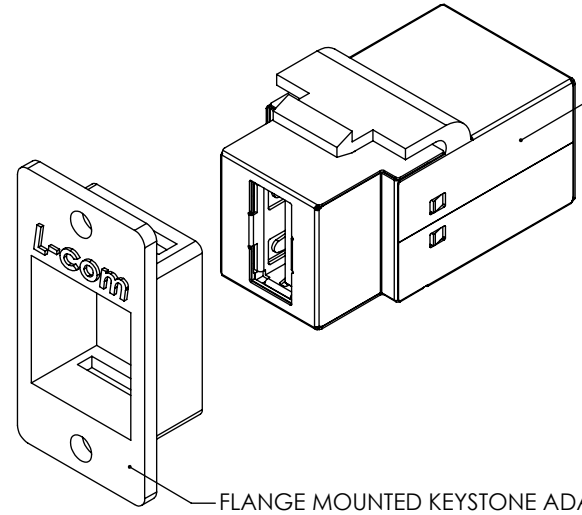


2X #4-40 UNC-2B THRU

**RECOMMENDED  
PANEL OPENING**

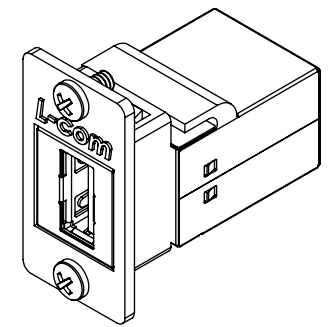


2X #4-40 UNC-2A X 1/4" LONG



FLANGE MOUNTED KEYSTONE ADAPTOR

KEYSTONE ADAPTOR USB A-B  
L-COM P/N UADKEY-AB



KIT SHOWN FULLY ASSEMBLED FOR CLARITY  
(KIT IS SHIPPED UN-ASSEMBLED)

- KIT INCLUDES:**  
 1- SHIELDED COUPLER  
 1- FLANGE ADAPTOR  
 1- PACKAGE MOUNTING SCREWS (4-40 x 1/4")

**NOTES:**

**MATERIAL:**  
 FLANGED ADAPTOR: ZINC ALLOY  
 HARDWARE: STAINLESS STEEL.

**PACKAGING:**  
 KITS SHALL BE INDIVIDUALLY PACKAGED IN ACCORDANCE WITH L-COM PACKAGING SPECIFICATION PS-0031.

**RoHS Compliant** ✓

UNLESS OTHERWISE SPECIFIED, DIMENSIONS ARE IN INCHES [mm] OVERALL CABLE LENGTH TOLERANCE: ≤12 [305] = +1 [25] / -0 >12 [305] ≤60 [1524] = +2 [51] / -0 >60 [1524] ≤120 [3048] = +4 [102] / -0 >120 [3048] ≤300 [7620] = +6 [152] / -0 >300 [7620] = +3% / -0%	APPROVALS	DATE		45 BEECHWOOD DRIVE NORTH ANDOVER, MA 01845
	DRAWN BY D. CASTRO	12/1/10		
ALL OTHER DIMENSIONAL TOLERANCES: .X = ±.2 .XX = ±.02 .XXX = ±.005	CHECKED BY D. PARHAM	12/1/10	CATEGORY USB	
	APPROVED BY S. SMITH	12/2/10	PRODUCT DESCRIPTION ADPT USB A-B CPLR KIT	
PROJECTION 	CONFIGURATION DETAILS OF UNDIMENSIONED FEATURES MAY VARY	COLOR VARIATIONS MAY OCCUR	SIZE <b>A</b>	FSCM NO. <b>43321</b>
			DWG. NO. ECF504-AB	REV. <b>A</b>
			SCALE: NONE	CAD FILE: ECF504-AB.SLDDRW
				SHEET 1 OF 1