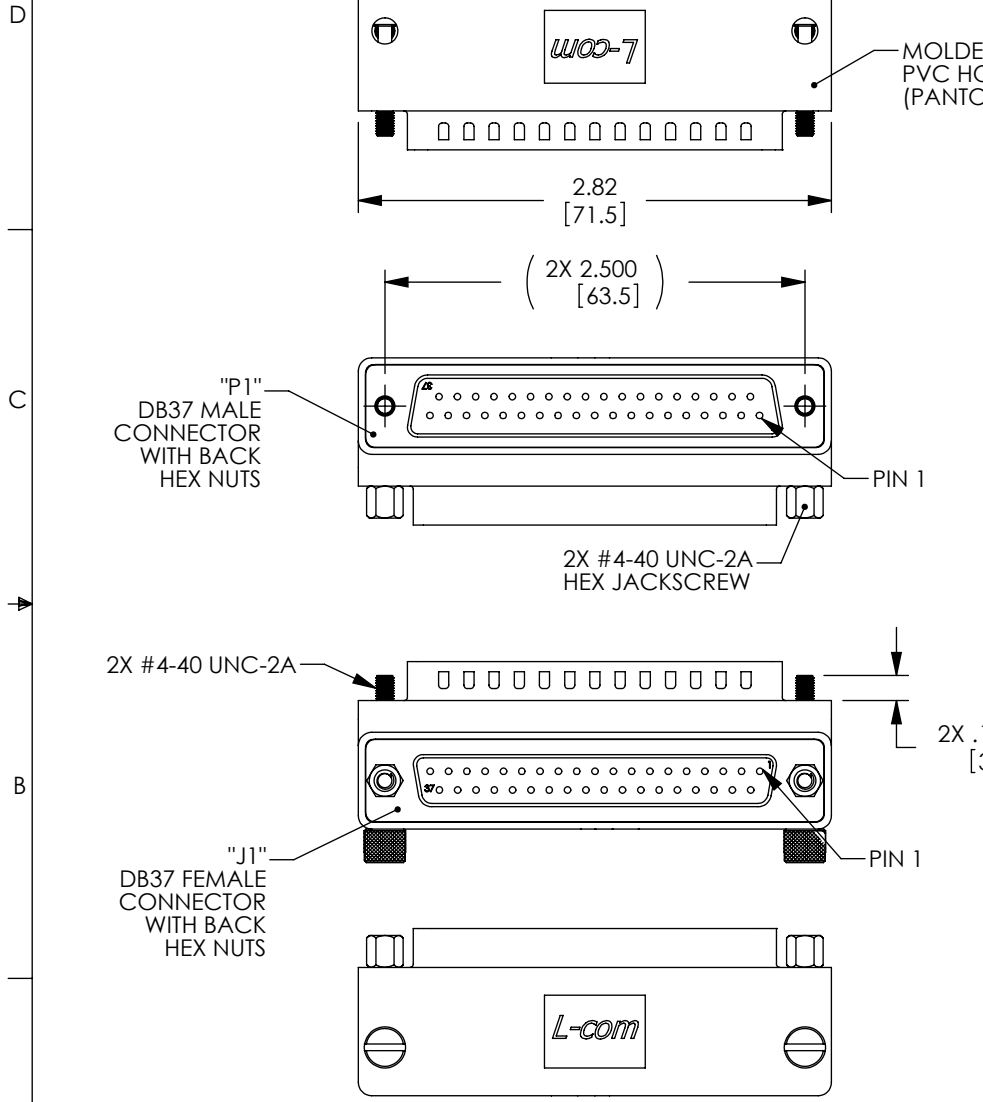


THE INFORMATION CONTAINED IN THIS DRAWING IS THE SOLE PROPERTY OF L-COM, INC. ANY REPRODUCTION IN PART OR WHOLE WITHOUT THE WRITTEN PERMISSION OF L-COM, INC. IS PROHIBITED.

| REVISIONS |                 |          |           |
|-----------|-----------------|----------|-----------|
| REV       | DESCRIPTION     | DATE     | APPROVED  |
| A         | INITIAL RELEASE | 10/11/10 | D.GRIFFIN |
|           |                 |          |           |
|           |                 |          |           |



MOLDED GRAY PVC HOOD (PANTONE 424C)

"P1" DB37 MALE CONNECTOR WITH BACK HEX NUTS

PIN 1

2X #4-40 UNC-2A HEX JACKSCREW

2X #4-40 UNC-2A

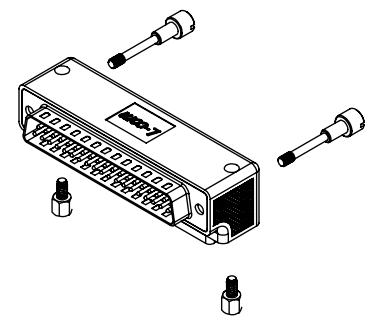
2X .149±.014 [3.8±0.35]

"J1" DB37 FEMALE CONNECTOR WITH BACK HEX NUTS

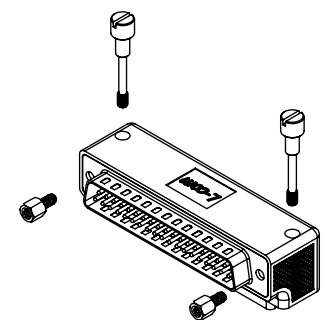
PIN 1

### HARDWARE CONFIGURATIONS

#### STANDARD HARDWARE CONFIGURATION



#### ALTERNATE HARDWARE CONFIGURATION



- NOTES:**
- ADAPTER SHALL BE TESTED FOR CONTINUITY.
  - ADAPTER SHALL BE INDIVIDUALLY PACKAGED IN ACCORDANCE WITH L-COM SPECIFICATION PS-0031.
  - PRODUCT SHIPPED IN STANDARD HARDWARE CONFIGURATION SHOWN ABOVE AND IN EXPLODED VIEW.
  - ADAPTER IS WIRED STRAIGHT THROUGH FROM PIN TO LIKE-NUMBERED PIN.

**RoHS Compliant** ✓

|   |  |                            |   |  |
|---|--|----------------------------|---|--|
| UNLESS OTHERWISE SPECIFIED, DIMENSIONS ARE IN INCHES [mm]<br>OVERALL CABLE LENGTH TOLERANCE:<br>≤12 [305] = +1 [25] / -0<br>>12 [305] ≤60 [1524] = +2 [51] / -0<br>>60 [1524] ≤120 [3048] = +4 [102] / -0<br>>120 [3048] ≤300 [7620] = +6 [152] / -0<br>>300 [7620] = +3% / -0% | APPROVALS  | DATE                       |   | 45 BEECHWOOD DRIVE<br>NORTH ANDOVER, MA<br>01845 |
|   | DRAWN BY<br>D.FRISIELLO                                  | 6/2/10                     |   |  |
| ALL OTHER DIMENSIONAL TOLERANCES:<br>.X = ±.2<br>.XX = ±.02<br>.XXX = ±.005   | CHECKED BY<br>C.BRAN                                     | 6/2/10                     | CATEGORY<br><b>DATA</b>                                     |  |
|   | APPROVED BY<br>S.SMITH                                   | 6/2/10                     | PRODUCT DESCRIPTION<br><b>ADPT,DB37M/F RA ORIENTATION 1</b> |  |
| PROJECTION<br>  | CONFIGURATION DETAILS OF UNDIMENSIONED FEATURES MAY VARY | COLOR VARIATIONS MAY OCCUR | SIZE<br><b>A</b>  | FSCM NO.<br><b>43321</b>                         |
| REF   | SCALE: NONE  | CAD FILE: DG9037MF1.SLDDRW | DWG. NO.<br><b>DG9037MF1</b>                                | REV.<br><b>A</b>                                 |