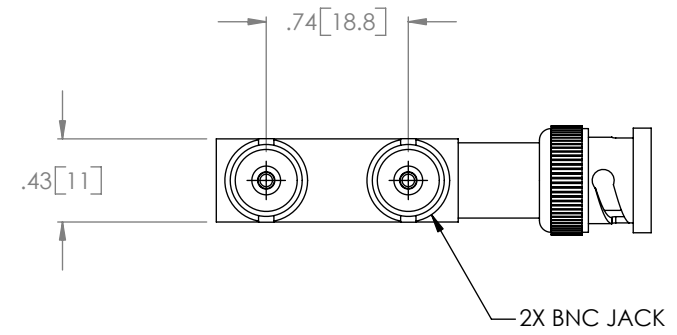
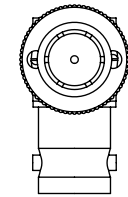
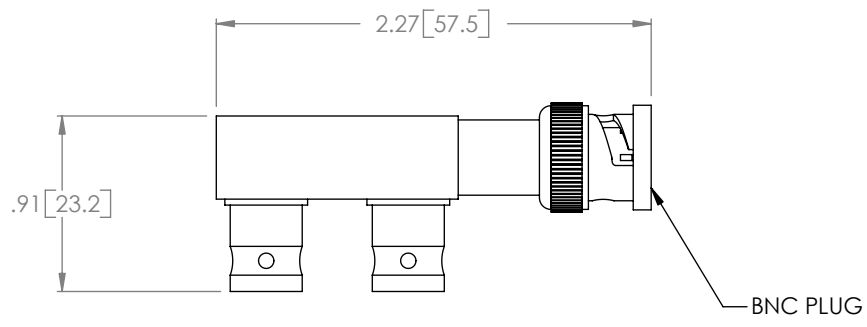


THE INFORMATION CONTAINED IN THIS DRAWING IS THE SOLE PROPERTY OF L-COM, INC. ANY REPRODUCTION IN PART OR WHOLE WITHOUT THE WRITTEN PERMISSION OF L-COM, INC. IS PROHIBITED.

REVISIONS			
REV	DESCRIPTION	DATE	CHANGED BY
A	RELEASED FOR PRODUCTION	11/19/01	MCCORMICK
B	REVISED: BNC PLUG 1 PLACE (ECN 1327)	03/13/03	MCCORMICK
B	ECN 3131: UPDATE DWG FORMAT	12/28/07	D.GRIFFIN



NOTES:

MATERIAL:

BODY: BRASS
DIELECTRIC: DELRIN
CENTER PIN: BRASS

FINISH:

BODY: NICKEL PLATED
CENTER PIN: GOLD PLATED

NOTES:

1. CHARACTERISTIC IMPEDANCE: 50 OHMS

RoHS Compliant ✓

L-com
CONNECTIVITY PRODUCTS
45 BEECHWOOD DRIVE
NORTH ANDOVER, MA
01845

UNLESS OTHERWISE SPECIFIED, DIMENSIONS ARE IN INCHES [mm] TOLERANCES TO BE: .X ±.1 [2.5] ANGLES ±2° .XX ±.01 [.25] .XXX ±.005 [.13] OVERALL CABLE LENGTH TOL: ≤ 60 [1524] +3 [76.2] / -0 > 60 [1524] +5% / -0%	APPROVALS	DATE	CATEGORY	
	DRAWN BY MCCORMICK	11/14/01	COAXIAL	
	CHECKED BY D.PARHAM	11/14/01	PRODUCT DESCRIPTION	
	APPROVED BY R.CARRICK	11/12/01	BNC JACK JACK TO PLUG	
PROJ	CONFIGURATION DETAILS OF UNDIMENSIONED FEATURES MAY VARY		SIZE A	FSCM NO. 43321
			DWG. NO. BA840	REV. C
			SCALE: NONE	CAD FILE: BA840.SLDDRW
			SHEET 1 OF 1	