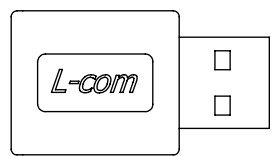
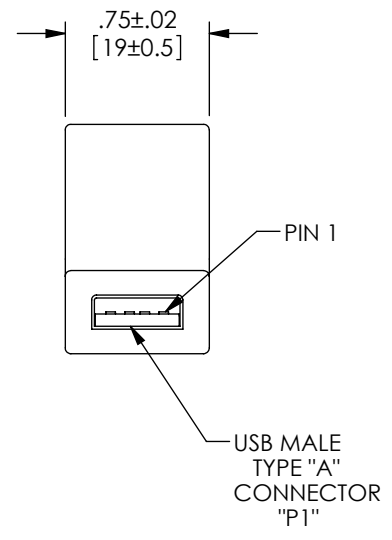
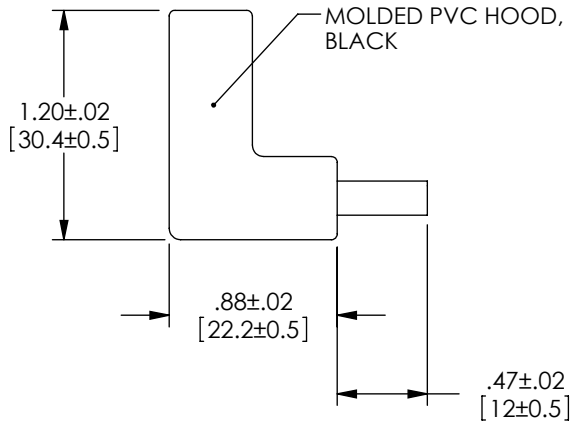
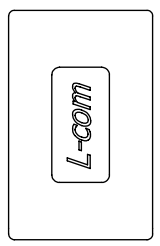
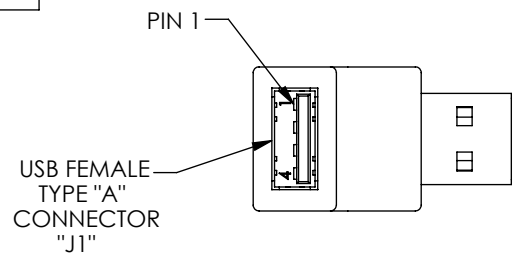


THE INFORMATION CONTAINED IN THIS DRAWING IS THE SOLE PROPERTY OF L-COM, INC. ANY REPRODUCTION IN PART OR WHOLE WITHOUT THE WRITTEN PERMISSION OF L-COM, INC. IS PROHIBITED.

| REVISIONS |                 |         |           |
|-----------|-----------------|---------|-----------|
| REV       | DESCRIPTION     | DATE    | APPROVED  |
| A         | INITIAL RELEASE | 3/18/09 | D.GRIFFIN |
|           |                 |         |           |
|           |                 |         |           |



| WIRE MAP |      |                |        |
|----------|------|----------------|--------|
| "J1"     | "P1" | WIRE           | SIGNAL |
| 1        | 1    | 20 AWG (RED)   | VCC    |
| 2        | 2    | 28 AWG (WHITE) | -DATA  |
| 3        | 3    | 28 AWG (GREEN) | +DATA  |
| 4        | 4    | 20 AWG (BLACK) | GND    |

**NOTES:**

1. ADAPTOR TO BE TESTED FOR CONTINUITY.
2. ADAPTOR TO BE INDIVIDUALLY PACKAGED IN A POLYBAG.

**RoHS Compliant** ✓

|  |  |                                      |   |
|--|--|--------------------------------------|---|
| UNLESS OTHERWISE SPECIFIED, DIMENSIONS ARE IN INCHES [mm]<br><br>OVERALL CABLE LENGTH TOLERANCE:<br>≤12 [305] = +1 [25] / -0<br>>12 [305] ≤60 [1524] = +2 [51] / -0<br>>60 [1524] ≤120 [3048] = +4 [102] / -0<br>>120 [3048] ≤300 [7620] = +6 [152] / -0<br>>300 [7620] = +5% / -0%<br><br>ALL OTHER DIMENSIONAL TOLERANCES:<br>.X = ±.3<br>.XX = ±.15<br><br>PROJECTION<br> | APPROVALS<br>DRAWN BY<br>D. CASTRO<br>CHECKED BY<br>D. PARHAM<br>APPROVED BY<br>S. SMITH | DATE<br>3/9/09<br>3/13/09<br>3/13/09 | <br>45 BEECHWOOD DRIVE<br>NORTH ANDOVER, MA<br>01845      |
|  | CONFIGURATION DETAILS OF UNDIMENSIONED FEATURES MAY VARY                                 |                                      | CATEGORY<br>USB   |
|  | COLOR VARIATIONS MAY OCCUR   |                                      | PRODUCT DESCRIPTION<br>ADPT, USB TYPE A M/F 90 DEG EXIT 1 |
|  | SIZE<br><b>A</b>   | FSCM NO.<br><b>43321</b>             | DWG. NO.<br>UADAA90-1                                     |
| SCALE: NONE  |  | CAD FILE: UADAA90-1.SLDDRW           |   |
| SHEET 1 OF 1   |  |                                      | SHEET 1 OF 1  |