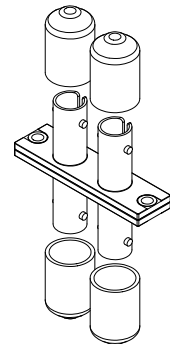
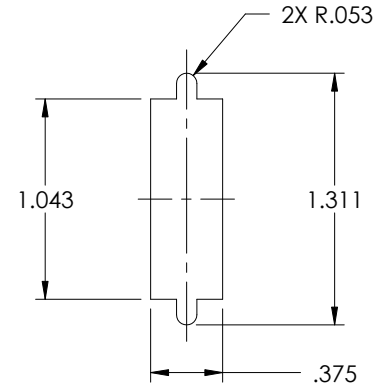
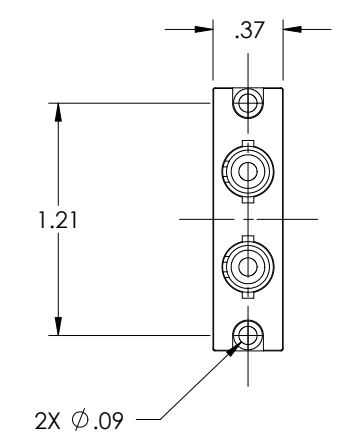
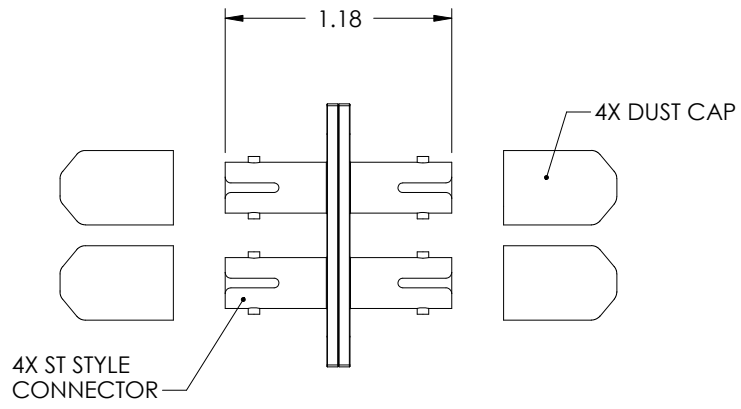


THE INFORMATION CONTAINED IN THIS DRAWING IS THE SOLE PROPERTY OF L-COM, INC. ANY REPRODUCTION IN PART OR WHOLE WITHOUT THE WRITTEN PERMISSION OF L-COM, INC. IS PROHIBITED.

REVISIONS			
REV	DESCRIPTION	DATE	APPROVED
A	RELEASED FOR PRODUCTION	12/20/00	MCCORMICK
B	ECN# 1605 ADDED COMPONENT SPECIFICATION TABLE	12/04/03	MCCORMICK
.	.	.	.
.	.	.	.



Component Specifications	
Material	
Sleeve	Phosphorus Bronze
Body	Zinc Alloy
Dust cap	PVC
Rivet	Copper
Finish	
Body	Nickel
Rivet	Nickel

CS-118

UNLESS OTHERWISE SPECIFIED, DIMENSIONS ARE IN INCHES. TOLERANCES ARE:
 .X \pm .1
 .XX \pm .05
 .XXX \pm .005
 CABLE LENGTH TOLERANCE
 <300" \pm 5% >300" \pm 2%

APPROVALS	DATE
DRAWN BY C.McCORMICK	12/20/00
CHECKED BY DFP	01/12/01
APPROVED BY R.CARRICK	01/12/01

CONFIGURATION DETAILS OF UNDIMENSIONED FEATURES MAY VARY

L-com CONNECTIVITY PRODUCTS		45 BEECHWOOD DRIVE NORTH ANDOVER, MA 01845	
PRODUCT DESCRIPTION ST TO ST DUPLEX ADAPTOR			
DRAWING TITLE OUTLINE DRAWING			
SIZE A	FSCM NO. 43321	DWG. NO. FOA-401-OD1	REV. B
SCALE: NONE		CAD FILE: FOA-401-OD1.SLDDRW	SHEET 1 OF 1