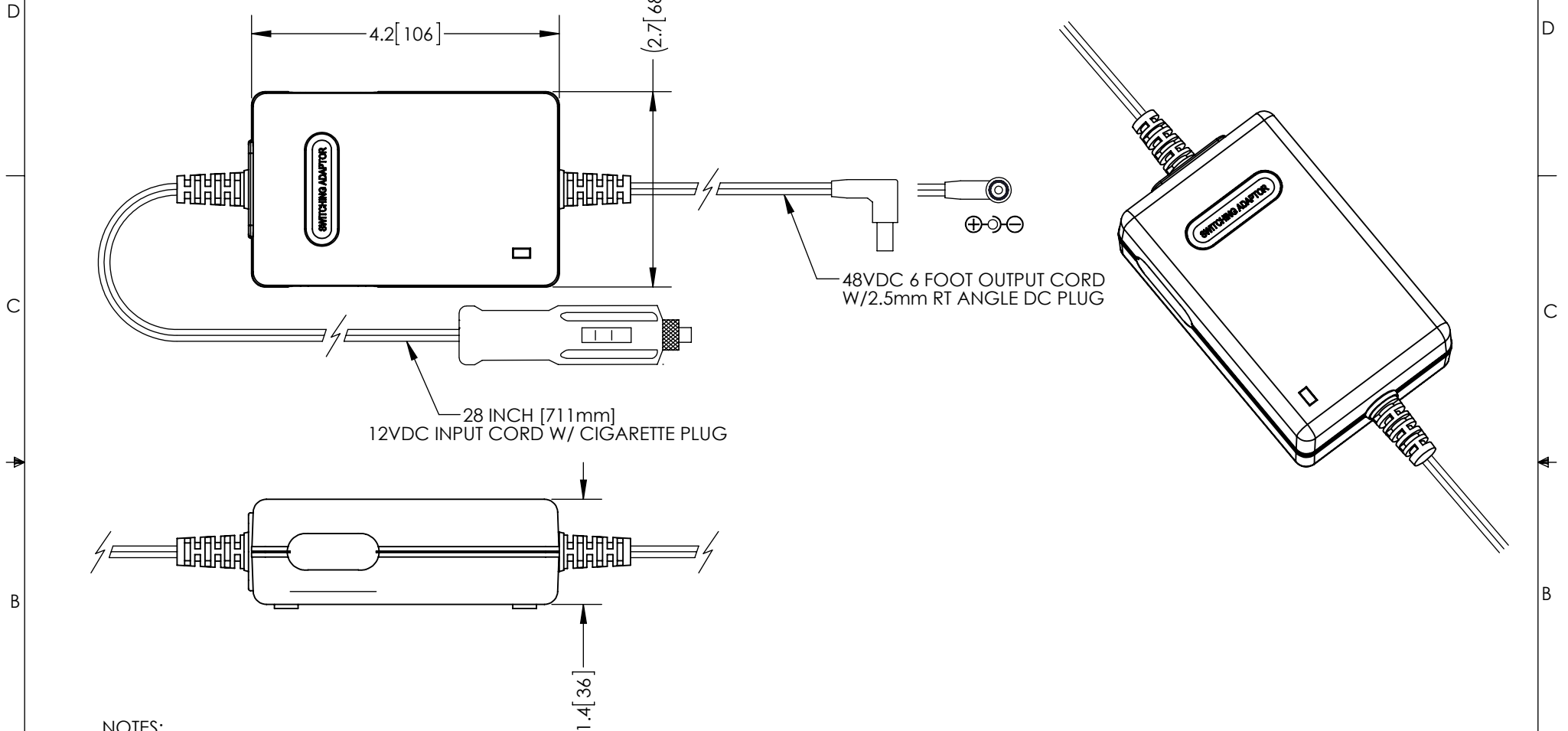


THE INFORMATION CONTAINED IN THIS DRAWING IS THE SOLE PROPERTY OF L-COM, INC. ANY REPRODUCTION IN PART OR WHOLE WITHOUT THE WRITTEN PERMISSION OF L-COM, INC. IS PROHIBITED.

REVISIONS			
REV	DESCRIPTION	DATE	APPROVED
A	INITIAL RELEASE	8/31/12	D.GRIFFIN



NOTES:  
SPECIFICATIONS:

INPUT VOLTAGE: 12VDC TO 26VDC  
 INPUT CONNECTION: CIGARETTE PLUG W/28 INCH LEAD

OUTPUT VOLTAGE: 48VDC @.8A MAX  
 OUTPUT CONNECTION: 2.5mm RT ANGLE DC PLUG  
 CENTER POSITIVE W/ 6 FOOT LEAD

MISCELLANEOUS:  
 ALL PARTS SHALL BE PACKAGED AS PER  
 L-COM SPEC PKG-00012

- ALL DIMENSIONS FOR REFERENCE ONLY -

**RoHS Compliant** ✓

UNLESS OTHERWISE SPECIFIED, DIMENSIONS ARE IN INCHES [mm]  DIMENSIONAL TOLERANCES: .X = ±.1 .XX = ±.01 .XXX = ±.005  ANGULAR TOLERANCES: ALL = ± 1°	APPROVALS DRAWN BY B.PUCHASKI	DATE 08/30/12		45 BEECHWOOD DRIVE NORTH ANDOVER, MA 01845		
	CHECKED BY M.MARTINEZ	08/30/12		CATEGORY POWER SUPPLY		
	APPROVED BY M.MARTINEZ	08/30/12	PRODUCT DESCRIPTION DC/DC CONVERTER 12VDC TO 48VDC W/ 2.5mm RT ANGLE DC PLUG	SIZE <b>A</b>	FSCM NO. <b>43321</b>	DWG. NO. <b>PC12480.8</b>
PROJECTION 	COLOR VARIATIONS MAY OCCUR	SCALE: NONE	CAD FILE: PC12480.8.SLDDRW	SHEET 1 OF 1		