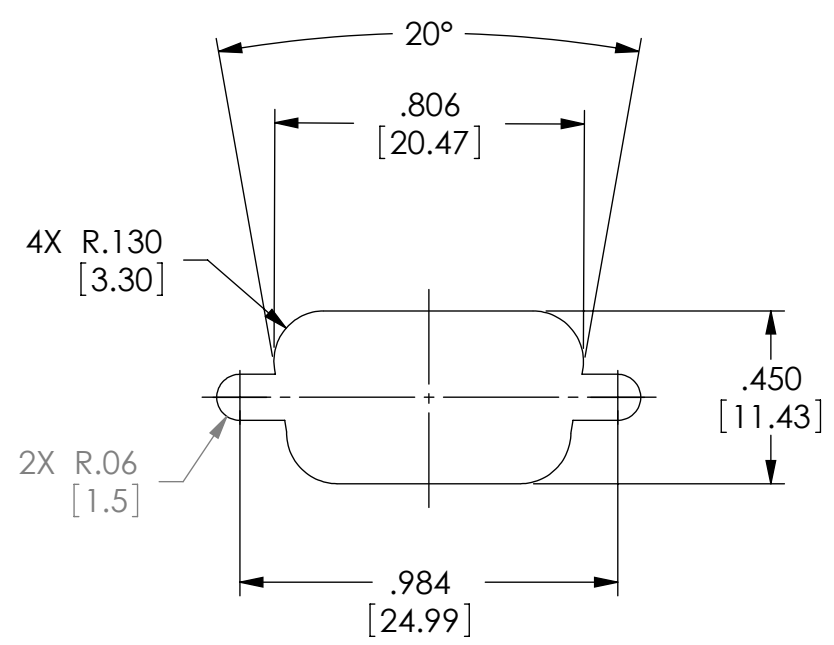
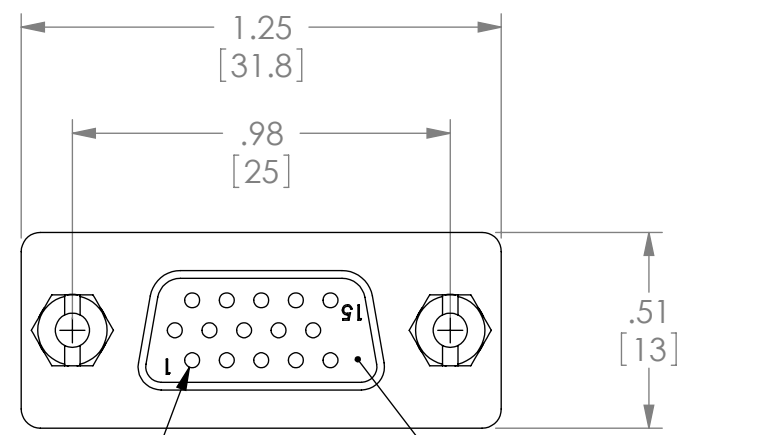
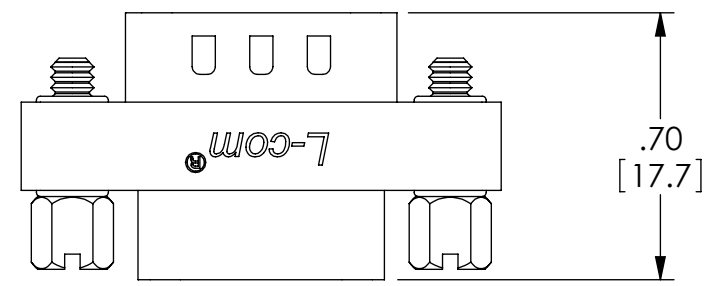


THE INFORMATION CONTAINED IN THIS DRAWING IS THE SOLE PROPERTY OF L-COM, INC. ANY REPRODUCTIONS IN PART OR WHOLE WITHOUT THE WRITTEN PERMISSION OF L-COM, INC. IS PROHIBITED.

REVISIONS			
REV	DESCRIPTION	DATE	CHANGED BY
G	ECN 4564: ADDED ROHS, UPDATED DRAWING AND NEW FORMAT	2/17/10	D.FRISIELLO

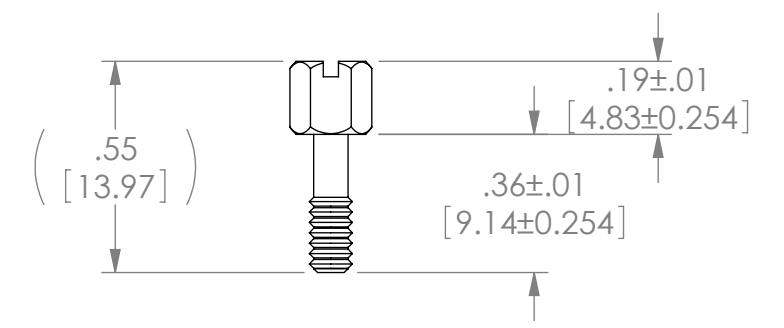


RECOMMENDED PANEL OPENING
(MAX PANEL THICKNESS: 0.06")



PIN 1
15 PIN FEMALE HIGH DENSITY D-SUB CONNECTOR

4-40 UNC-2B X .180



JACKSCREW SPECIFICATION

NOTES:
MATERIAL:
SHELL: STEEL
CONTACTS: COPPER ALLOY
HARDWARE: BRASS
INSULATOR: PBT FIBER REINFORCED (UL94V-0 RATED)

FINISH:
SHELL: TIN/NICKEL PLATED
CONTACTS: GOLD FLASH PLATED
HARDWARE: NICKEL PLATED

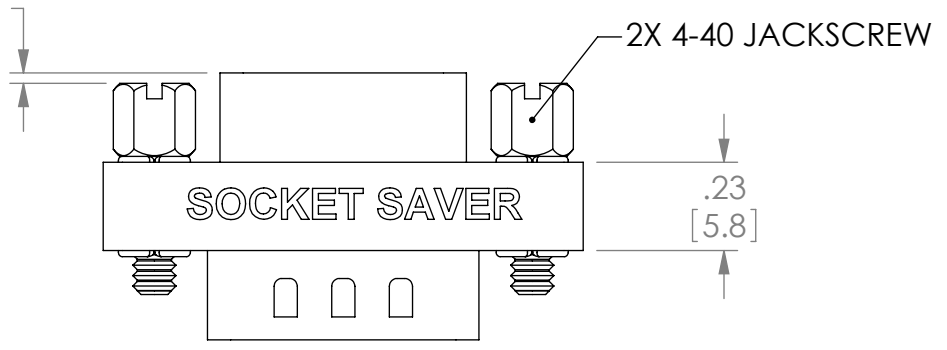
ELECTRICAL:
CURRENT RATING: 3 AMP

MISCELLANEOUS:
OPERATING TEMPERATURE RANGE: -55°C TO +105°C.
ALL CONTACTS ARE WIRED STRAIGHT THROUGH.
COMPONENT SHALL BE TESTED FOR CONTINUITY.

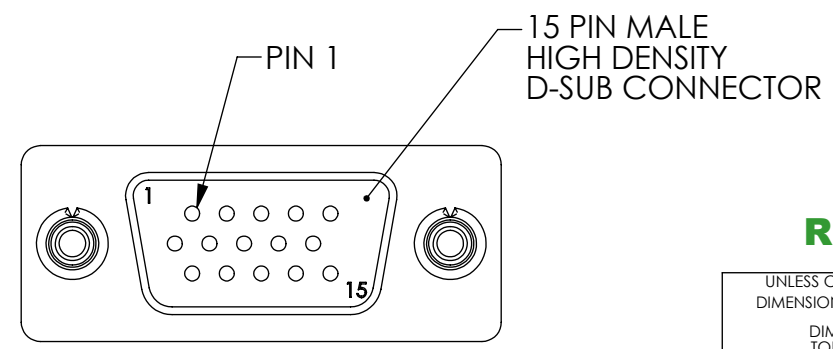
LABELING:
PANTONE 2945 BLUE. "L-COM" FONT MyriaMM ITALIC.
"GENDER CHANGER" FONT ARIAL BOLD, TEXT HEIGHTS; .085"
TEXT COLOR; WHITE.

PACKAGING:
COMPONENT SHALL BE INDIVIDUALLY PACKAGED IN ACCORDANCE WITH L-COM SPECIFICATION PS-0031.

2X $\begin{matrix} .03^{+.00} \\ 0 \\ .76^{-.03} \end{matrix}$ [0.76 -0.762]



2X 4-40 JACKSCREW



PIN 1
15 PIN MALE HIGH DENSITY D-SUB CONNECTOR

RoHS Compliant ✓

UNLESS OTHERWISE SPECIFIED, DIMENSIONS ARE IN INCHES [mm]

DIMENSIONAL TOLERANCES:
.X = ±.1
.XX = ±.01
.XXX = ±.005

ANGULAR TOLERANCES:
ALL = ± 1°

PROJECTION

APPROVALS	DATE
DRAWN BY D.PARHAM	11/08/2001
CHECKED BY T.CLARK	11/08/2001
APPROVED BY R.CARRICK	11/08/2001

CONFIGURATION DETAILS OF UNDIMENSIONED FEATURES MAY VARY

COLOR VARIATIONS MAY OCCUR

L-com Global Connectivity 45 BEECHWOOD DRIVE NORTH ANDOVER, MA 01845

CATEGORY: D-SUBMINIATURE

PRODUCT DESCRIPTION: SOCKET SAVER, HD15 MALE/FEMALE

SIZE	FSCM NO.	DWG. NO.	REV.
B	43321	DGBH15MF	G

SCALE: 2:1 CAD FILE: DGBH15MF.SLDDRW SHEET 1 OF 1