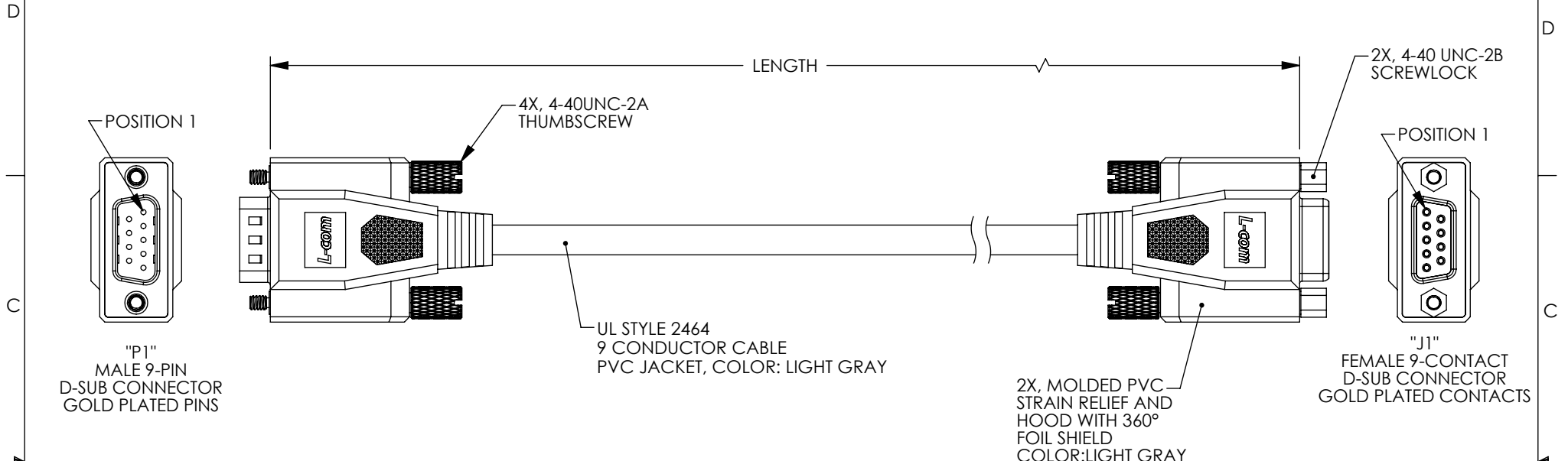


THE INFORMATION CONTAINED IN THIS DRAWING IS THE SOLE PROPERTY OF L-COM, INC. ANY REPRODUCTION IN PART OR WHOLE WITHOUT THE WRITTEN PERMISSION OF L-COM, INC. IS PROHIBITED.

REVISIONS			
REV	DESCRIPTION	DATE	APPROVED
E	ECN 3779: DEFINED COLOR TO LIGHT GRAY, NEW FORMAT	1/12/09	D.FRISIELLO
F	ECN 4474: ADDED 1.0 FT. LENGTH, UPDATED FORMAT, ADDED NOTES	1/7/10	D. CASTRO



WIRING MAP		
"P1"	WIRE COLOR	"J1"
1	BLACK	1
2	GRAY	2
3	RED	3
4	GREEN	4
5	BROWN	5
6	BLUE	6
7	ORANGE	7
8	YELLOW	8
9	PURPLE	9
SHELL	DRAIN WIRE	SHELL

PART NUMBER	LENGTH	
	FEET	METERS
CSMN9MF-1	1.0	0.31
CSMN9MF-2.5	2.5	0.76
CSMN9MF-5	5.0	1.52
CSMN9MF-10	10.0	3.05
CSMN9MF-15	15.0	4.57
CSMN9MF-25	25.0	7.62

**NOTES:**

1. CABLE ASSEMBLY SHALL BE TESTED FOR CONTINUITY.
2. CABLE ASSEMBLY SHALL BE INDIVIDUALLY PACKAGED IN ACCORDANCE WITH L-COM PACKAGING SPEC. PS-0031.

**RoHS Compliant** ✓

UNLESS OTHERWISE SPECIFIED, DIMENSIONS ARE IN INCHES [mm] OVERALL CABLE LENGTH TOLERANCE: ≤12 [305] = +1 [25] / -0 >12 [305] ≤60 [1524] = +2 [51] / -0 >60 [1524] ≤120 [3048] = +4 [102] / -0 >120 [3048] ≤300 [7620] = +6 [152] / -0 >300 [7620] = +3% / -0%	APPROVALS	DATE		45 BEECHWOOD DRIVE NORTH ANDOVER, MA 01845
	DRAWN BY TJC	6/7/01		CATEGORY
ALL OTHER DIMENSIONAL TOLERANCES: .X = ± .2 .XX = ± .02 .XXX = ± .005	CHECKED BY DFP	7/18/01	PRODUCT DESCRIPTION	DELUXE MOLDED CABLE, DB9M/DB9F
	APPROVED BY CM	7/19/01		
PROJECTION 	CONFIGURATION DETAILS OF UNDIMENSIONED FEATURES MAY VARY		DWG. NO.	CSMN9MF
COLOR VARIATIONS MAY OCCUR	CSMN-FS01		SCALE: NONE	CAD FILE: CSMN9MF.SLDDRW
				REV. <b>F</b>
				SHEET 1 OF 1