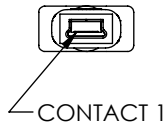
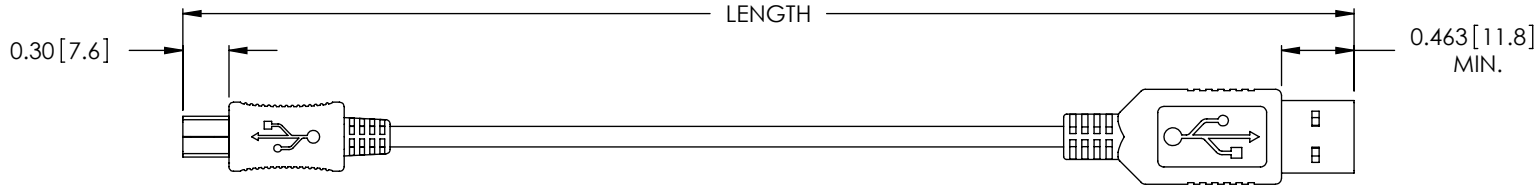
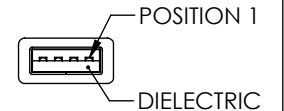
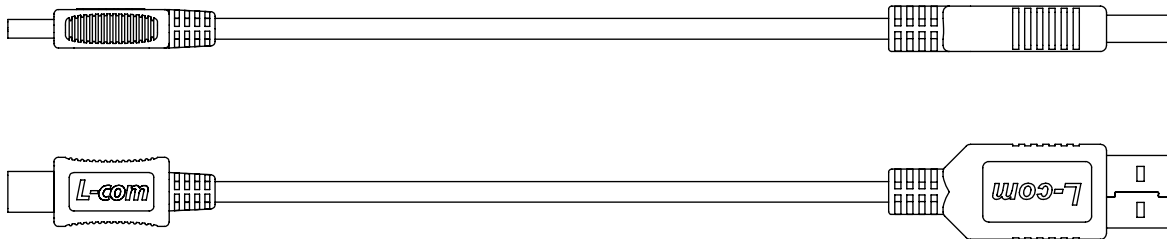


THE INFORMATION CONTAINED IN THIS DRAWING IS THE SOLE PROPERTY OF L-COM, INC. ANY REPRODUCTION IN PART OR WHOLE WITHOUT THE WRITTEN PERMISSION OF L-COM, INC. IS PROHIBITED.

REVISIONS			
REV	DESCRIPTION	DATE	APPROVED
G	ECN 3715: REMOVE "UL TYPE CM". NEW FORMAT	11/18/08	D.FRISIELLO
H	ECN 3736: REVISED ORIENTATION OF MINI B5	12/2/08	D.FRISIELLO



5-PIN MALE SERIES "B" MINI PLUG



MALE SERIES "A" PLUG

NOTES:

MATERIAL:
CONNECTORS
SHELL: STEEL
INSULATOR: THERMOPLASTIC, UL94V-0
CONTACTS: COPPER ALLOY

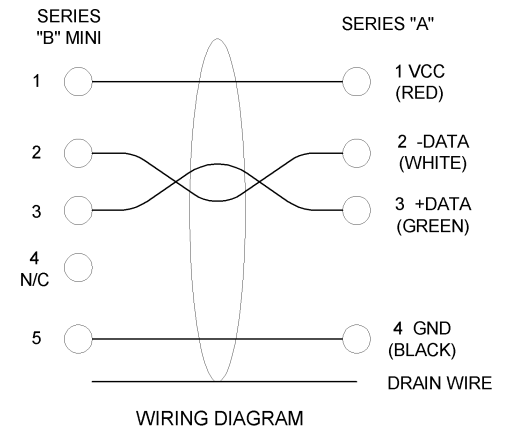
MOLDED HOODS: PVC, BLACK

FINISH:
SHELL: NICKEL PLATE
CONTACTS: 30µin MIN GOLD PLATE, OVER NICKEL PLATE

CABLE CHARACTERISTICS:
1X TWISTED PAIR 28AWG (7X36) STRANDED TINNED COPPER, POLYETHYLENE INSULATION
2X 28 AWG (7X36) STRANDED TINNED COPPER, PVC INSULATION
OVERALL ALUMINIZED POLYESTER SHIELD, 100% COVERAGE, 25% OVERLAP
STRANDED TINNED COPPER DRAIN WIRE
TINNED COPPER BRAID SHIELD
PVC JACKET, BLACK
CABLE DIAMETER: .126 [3.20] REF.

MISCELLANEOUS:
CABLE ASSEMBLIES SHALL BE TESTED FOR CONTINUITY
CABLE ASSEMBLIES SHALL BE INDIVIDUALLY PACKAGED IN POLY BAG.
CABLE ASSEMBLIES SHALL HAVE 360° SHIELD TERMINATION
CONNECT DRAIN WIRE TO CONNECTOR SHELL.
CABLE ASSEMBLY MUST MEET REQUIREMENTS OF USB 2.0
CABLE ASSEMBLY MUST BE ROHS COMPLIANT

PART NUMBER	LENGTH, METERS [FEET]
CSMUAMB5-1M	1 [3.28]
CSMUAMB5-2M	2 [6.56]
CSMUAMB5-3M	3 [9.84]



UNLESS OTHERWISE SPECIFIED, DIMENSIONS ARE IN INCHES [mm]	APPROVALS	DATE		45 BEECHWOOD DRIVE NORTH ANDOVER, MA 01845		
	DRAWN BY T.CALRK	05/21/2002				
OVERALL CABLE LENGTH TOLERANCE: ≤12 [305] = +1 [25] / -0 >12 [305] ≤60 [1524] = +2 [51] / -0 >60 [1524] ≤120 [3048] = +4 [102] / -0 >120 [3048] ≤300 [7620] = +6 [152] / -0 >300 [7620] = +5% / -0%	CHECKED BY D.PARHAM	05/27/2002	CATEGORY USB			
	ALL OTHER DIMENSIONAL TOLERANCES: .X = .3 .XX = .15	APPROVED BY R.CARRICK	05/27/2002	PRODUCT DESCRIPTION 5 PIN SERIES MINI B PLUG TO SERIES A PLUG		
PROJECTION 	CONFIGURATION DETAILS OF UNDIMENSIONED FEATURES MAY VARY	COLOR VARIATIONS MAY OCCUR	SIZE A	FSCM NO. 43321	DWG. NO. CSMUAMB5	REV. H
SCALE: NONE			CAD FILE: CSMUAMB5.SLDDRW		SHEET 1 OF 1	