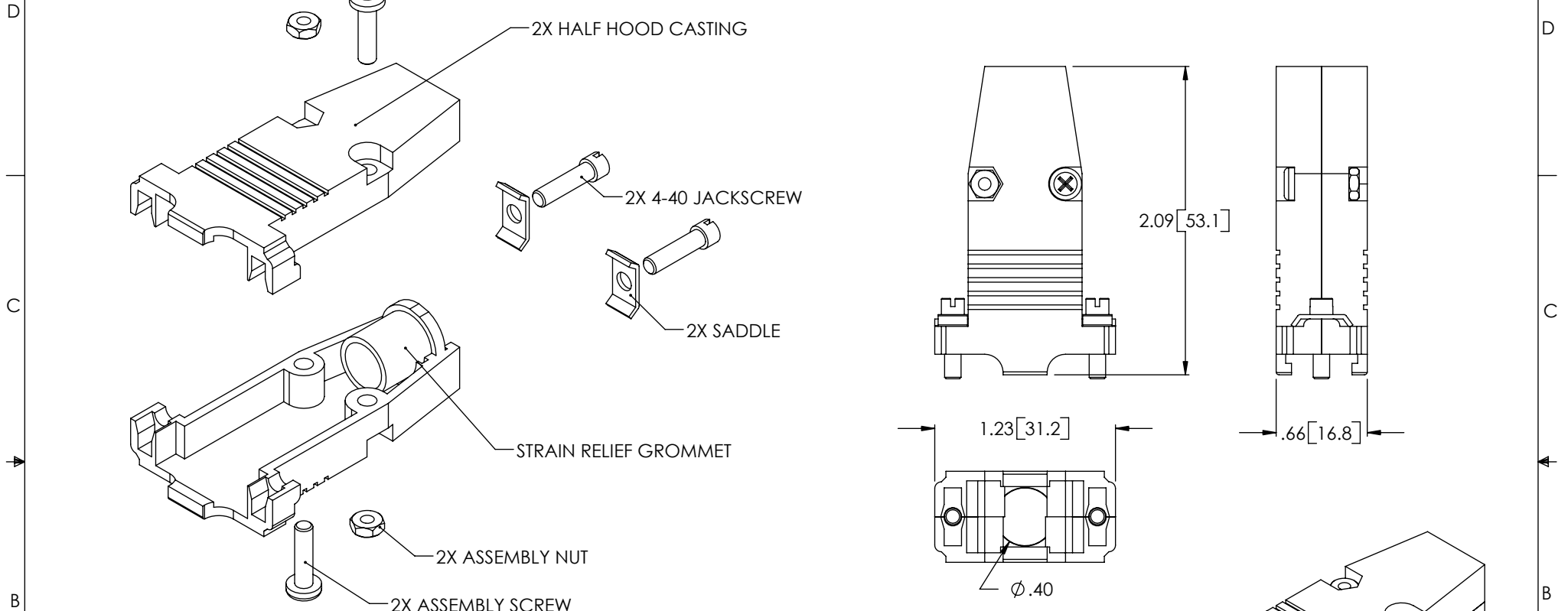


THE INFORMATION CONTAINED IN THIS DRAWING IS THE SOLE PROPERTY OF L-COM, INC. ANY REPRODUCTION IN PART OR WHOLE WITHOUT THE WRITTEN PERMISSION OF L-COM, INC. IS PROHIBITED.

REVISIONS			
REV	DESCRIPTION	DATE	CHANGED BY
A	INITIAL RELEASE	12/9/04	T.CLARK
B	ECN# 2731 - UPDATE DRAWING FORMAT	10/22/07	D.GRIFFIN
C	ECN 3174: REVISED FINISH TO NICKEL PLATE	2/4/08	D.FRISIELLO



NOTES:

MATERIAL:

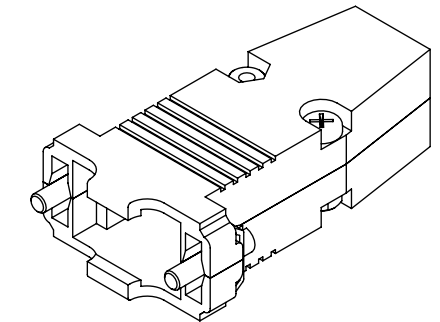
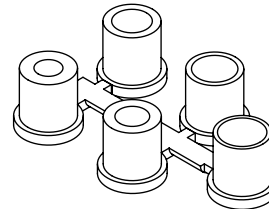
HOOD: DIE-CAST ZINC ALLOY
 JACKSCREWS: STEEL
 ASSEMBLY HARDWARE: STEEL
 STRAIN RELIEF GROMMETS: PVC BLACK

FINISH:

HOOD: NICKEL PLATED, MATTE FINISH ON MAJOR SURFACES
 JACKSCREWS: NICKEL PLATED
 ASSEMBLY HARDWARE: NICKEL PLATED

MISCELLANEOUS:

INTENDED FOR USE WITH 9-PIN STANDARD AND 15-PIN HIGH DENSITY D-SUBMINIATURE CONNECTORS.
 SUPPLIED WITH 5 STRAIN RELIEF GROMMETS FOR CABLES HAVING DIAMETERS RANGING FROM .190 TO .335 INCH.



UNLESS OTHERWISE SPECIFIED, DIMENSIONS ARE IN INCHES [mm] TOLERANCES TO BE: .X ±.1 [2.5] ANGLES ±2° .XX ±.01 [.25] .XXX ±.005 [.13] OVERALL CABLE LENGTH TOL: ≤ 60 [1524] +3 [76.2] / -0 > 60 [1524] +5% / -0%	APPROVALS	DATE
	DRAWN BY T CLARK	12/6/2004
	CHECKED BY D PARHAM	12/7/2004
	APPROVED BY C MCCORMICK	12/8/2004
	CONFIGURATION DETAILS OF UNDIMENSIONED FEATURES MAY VARY	

L-com CONNECTIVITY PRODUCTS		45 BEECHWOOD DRIVE NORTH ANDOVER, MA 01845	
CATEGORY		DATA CABLING	
PRODUCT DESCRIPTION		DB9 & HD15 HOOD KIT	
SIZE A	FSCM NO. 43321	DWG. NO. SDC9AG	REV. C
SCALE: NONE		CAD FILE: SDC9AG.SLDDRW	
		SHEET 1 OF 1	