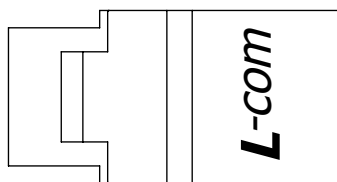
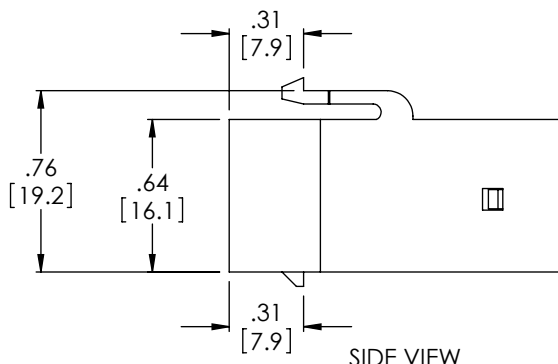


THE INFORMATION CONTAINED IN THIS DRAWING IS THE SOLE PROPERTY OF L-COM, INC. ANY REPRODUCTION IN PART OR WHOLE WITHOUT THE WRITTEN PERMISSION OF L-COM, INC. IS PROHIBITED.

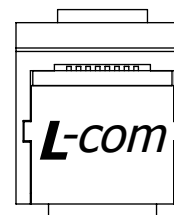
REVISIONS			
REV	DESCRIPTION	DATE	APPROVED
A	INITIAL RELEASE	04/21/09	DFP
B	ECN3974: ADDED PANEL CUT-OUT DETAIL, HOUSING COLOR & ANGULAR VIEWS.	05/12/09	DFP
C	ECN4159: HOUSING BODY MATERIAL WAS PC	07/30/09	DFP



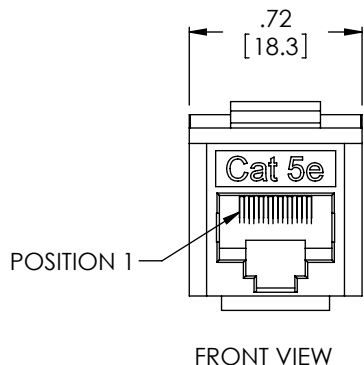
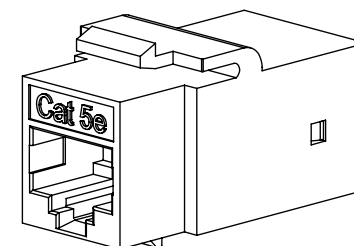
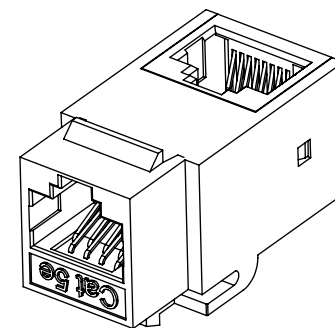
TOP VIEW



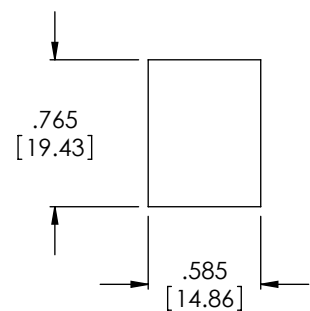
SIDE VIEW



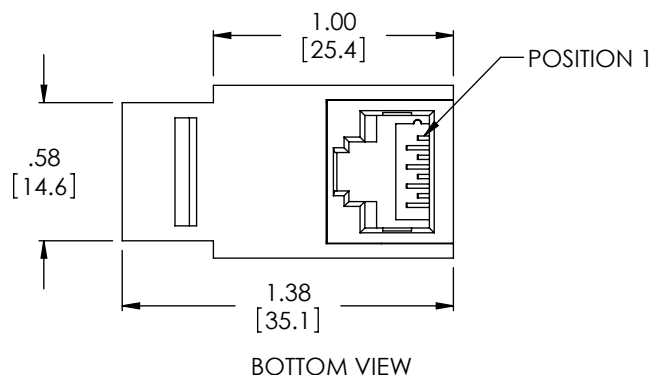
REAR VIEW



FRONT VIEW



RECOMMENDED PANEL OPENING



BOTTOM VIEW

NOTE

1. JACKS CONFORM TO TIA-1096
2. CONTACTS ARE GOLD PLATED
3. COUPLER HOUSING BODY: ABS  
COLOR: BLACK

UNLESS OTHERWISE SPECIFIED, DIMENSIONS ARE IN INCHES [mm]  OVERALL CABLE LENGTH TOLERANCE: $\leq 12$ [305] = +1 [25] / -0 $> 12$ [305] $\leq 60$ [1524] = +2 [51] / -0 $> 60$ [1524] $\leq 120$ [3048] = +4 [102] / -0 $> 120$ [3048] $\leq 300$ [7620] = +6 [152] / -0 $> 300$ [7620] = +5% / -0%  ALL OTHER DIMENSIONAL TOLERANCES: .X = $\pm 3$ .XX = $\pm 15$	APPROVALS D. PARHAM CHECKED BY ENG APPROVED BY ENG	DATE 10/27/2008 10/27/2008 10/27/2008	45 BEECHWOOD DRIVE NORTH ANDOVER, MA 01845  CATEGORY <b>TELECOM/MODULAR</b>  PRODUCT DESCRIPTION <b>RT ANGLE RJ45 COUPLER</b>	
	CONFIGURATION DETAILS OF UNDIMENSIONED FEATURES MAY VARY			SIZE <b>A</b> FSCM NO. <b>43321</b> DWG. NO. <b>TDG1026KC-R5E</b>
	PROJECTION 			COLOR VARIATIONS MAY OCCUR
	SCALE: NONE CAD FILE: TDG1026KC-R5E.SLDDRW			REV. <b>C</b> SHEET 1 OF 1