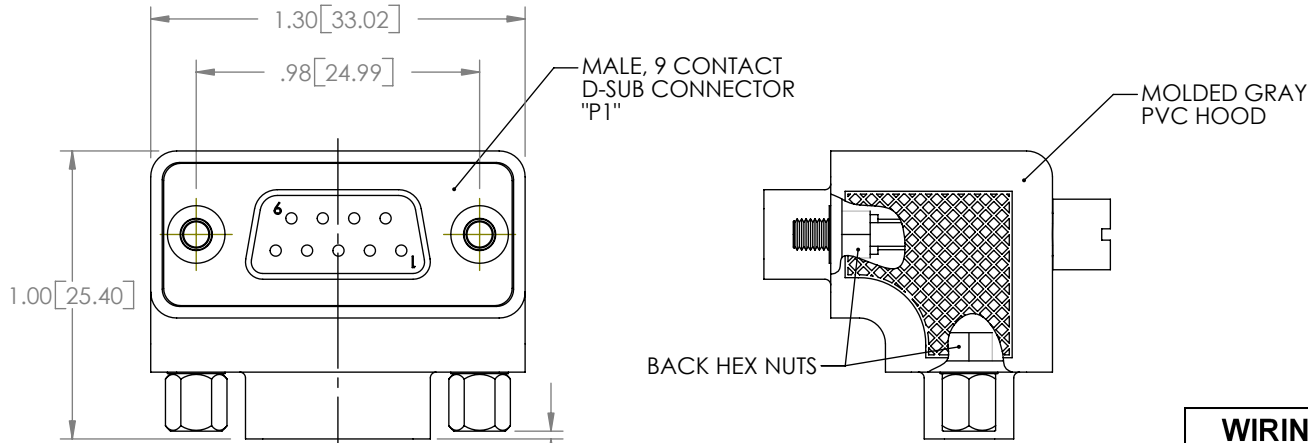


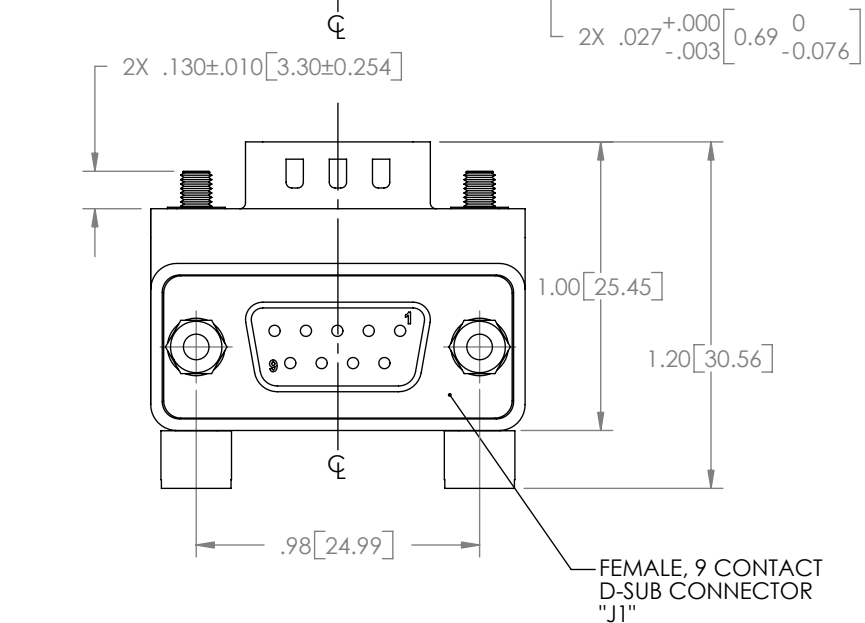
THE INFORMATION CONTAINED IN THIS DRAWING IS THE SOLE PROPERTY OF L-COM, INC. ANY REPRODUCTION IN PART OR WHOLE WITHOUT THE WRITTEN PERMISSION OF L-COM, INC. IS PROHIBITED.

RoHS Compliant ✓

REVISIONS			
REV	DESCRIPTION	DATE	CHANGED BY
A	INITIAL RELEASE	04/01/05	M.LAHEY
B	ECN# 2731 - ADDED ROHS STAMP	10/23/07	D.GRIFFIN

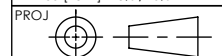


WIRING MAP	
P1	J1
1	1
2	2
3	3
4	4
5	5
6	6
7	7
8	8
9	9
SHELL	SHELL



NOTE:
1. PRODUCT SHIPPED WITH HARDWARE CONFIGURED AS SHOWN ABOVE.

UNLESS OTHERWISE SPECIFIED, DIMENSIONS ARE IN INCHES [mm]
 TOLERANCES TO BE:
 .X ±.1 [2.5] ANGLES ±2°
 .XX ±.01 [.25]
 .XXX ±.005 [.13]
 OVERALL CABLE LENGTH TOL:
 ≤ 60 [1524] +3 [76.2] / -0
 > 60 [1524] +5% / -0%



APPROVALS	DATE
DRAWN BY M.LAHEY	04/01/05
CHECKED BY C.McCORMICK	04/01/05
APPROVED BY D.PARHAM	04/01/05

CONFIGURATION DETAILS OF UNDIMENSIONED FEATURES MAY VARY

L-com 45 BEECHWOOD DRIVE
 CONNECTIVITY PRODUCTS NORTH ANDOVER, MA
 PRODUCTS 01845

CATEGORY DATA CABLING

PRODUCT DESCRIPTION DB9 MALE / DB9 FEMALE RIGHT ANGLE ADAPTER

SIZE **A** FSCM NO. **43321** DWG. NO. **DG909MF1** REV. **B**

SCALE: NONE CAD FILE: DG909MF1.SLDDRW SHEET 1 OF 1