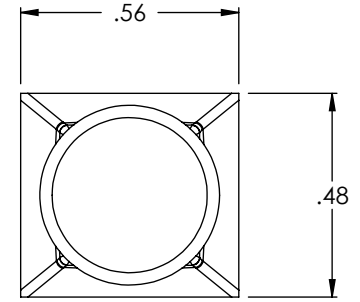
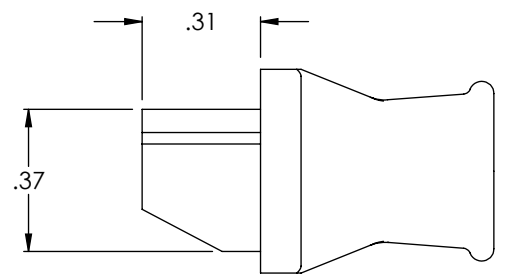
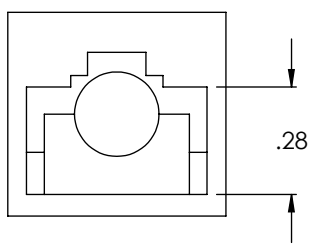
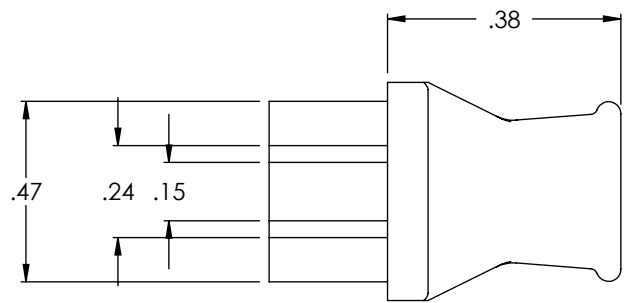


THE INFORMATION CONTAINED IN THIS DRAWING IS THE SOLE PROPERTY OF L-COM, INC. ANY REPRODUCTION IN PART OR WHOLE WITHOUT THE WRITTEN PERMISSION OF L-COM, INC. IS PROHIBITED.

REVISIONS			
REV	DESCRIPTION	DATE	APPROVED
A	INITIAL RELEASE	07/14/03	DFP
B	ECN3954: UPDATED FORMAT. CN RELEASE	04/20/09	DFP



NOTE
 1. MATERIAL: PVC
 2. COLOR: BLACK
 3. PACKAGING: SEAL 100 PIECES IN AN L-COM LOGO BAG

UNLESS OTHERWISE SPECIFIED, DIMENSIONS ARE IN INCHES [mm] OVERALL CABLE LENGTH TOLERANCE: ≤ 12 [305] = +1 [25] / -0 > 12 [305] ≤ 60 [1524] = +2 [51] / -0 > 60 [1524] ≤ 120 [3048] = +4 [102] / -0 > 120 [3048] ≤ 300 [7620] = +6 [152] / -0 > 300 [7620] = +5% / -0% ALL OTHER DIMENSIONAL TOLERANCES: .X = $\pm .3$.XX = $\pm .15$	APPROVALS D. PARHAM CHECKED BY B. MAZEJKA APPROVED BY C. McCORMICK	DATE 7/3/2003 7/3/2003 7/3/2003		45 BEECHWOOD DRIVE NORTH ANDOVER, MA 01845	
	CONFIGURATION DETAILS OF UNDIMENSIONED FEATURES MAY VARY			CATEGORY MODULAR	
	PROJECTION 	COLOR VARIATIONS MAY OCCUR	SIZE A	FSCM NO. 43321	DWG. NO. MP45J
	SCALE: NONE			CAD FILE: MP45J.SLDDRW	SHEET 1 OF 1

