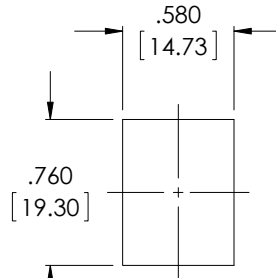
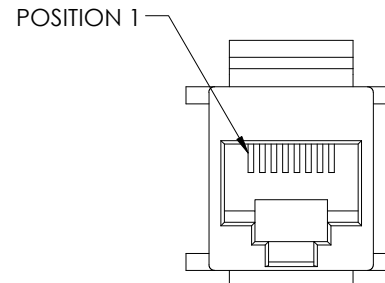
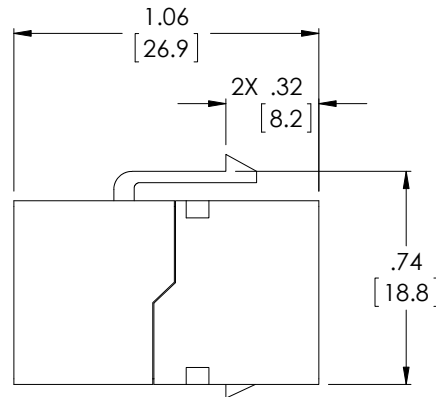
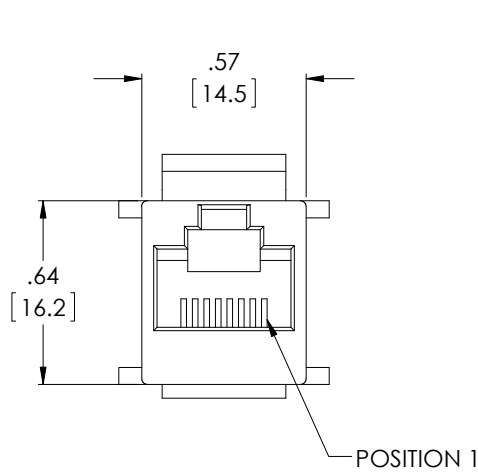


THE INFORMATION CONTAINED IN THIS DRAWING IS THE SOLE PROPERTY OF L-COM, INC. ANY REPRODUCTION IN PART OR WHOLE WITHOUT THE WRITTEN PERMISSION OF L-COM, INC. IS PROHIBITED.



REVISIONS			
REV	DESCRIPTION	DATE	APPROVED
A	INITIAL RELEASE	1/21/03	DFP
B	ECN1482: PANEL OPENING SIZE WAS .580 X .760	9/5/03	DFP
C	ECN1629: ADDED COMPONENT SPECIFICATION TABLE	12/31/03	DFP
D	ECN: 6881: UPDATED FORMAT/PKG, DIMENSIONS, AND PANEL OPENING	6/14/13	D. DESJARDIN



RECOMMENDED  
PANEL OPENING



**NOTES:**

**MATERIALS:**  
HOUSING: GLASS FILLED POLYESTER, UL94V-0, COLOR: BLACK  
CONTACTS: PHOSPHOR BRONZE  
CONTACT PLATING: SELECTIVE GOLD OVER NICKEL PLATING

**ELECTRICAL:**  
RATING: CATGORY 3  
CURRENT RATING: 1.5 AMPS MAX.  
VOLTAGE RATING: 150 VAC

**ENVIRONMENTAL:**  
OPERATING TEMPERATURE RANGE: -20°C TO 85°C

**MISCELLANEOUS:**  
WIRING: STRAIGHT THROUGH  
COMPONENT SHALL BE INDIVIDUALLY PACKAGED IN ACCORDANCE WITH L-COM SPECIFICATION PS-0031.  
MAXIMUM PANEL THICKNESS: .06"

ALL DIMENSIONS ARE FOR REFERENCE ONLY.

**REGULATORY COMPLIANCE:**  
ROHS, CE

UNLESS OTHERWISE SPECIFIED, DIMENSIONS ARE IN INCHES [mm] OVERALL CABLE LENGTH TOLERANCE: ≤12 [305] = +1 [25] / -0 >12 [305] ≤60 [1524] = +2 [51] / -0 >60 [1524] ≤120 [3048] = +4 [102] / -0 >120 [3048] ≤300 [7620] = +6 [152] / -0 >300 [7620] = +5% / -0%	APPROVALS	DATE		45 BEECHWOOD DRIVE NORTH ANDOVER, MA 01845
	DRAWN BY D. PARHAM	12/30/2002		
ALL OTHER DIMENSIONAL TOLERANCES: .X = ± .2 [5.08] .XX = ± .02 [1.51] .XXX = ±.005 [1.13]	CHECKED BY C. MCCORMICK	01/02/2003	CATEGORY TELECOM/MODULAR	
	APPROVED BY R. CARRICK	01/02/2003	PRODUCT DESCRIPTION CAT 3 KEYSTONE FEED-THRU CPLR	
PROJECTION 	CONFIGURATION DETAILS OF UNDIMENSIONED FEATURES MAY VARY	COLOR VARIATIONS MAY OCCUR	SIZE <b>A</b>	FSCM NO. <b>43321</b>
			DWG. NO. TDG1026KC3	REV. <b>D</b>
			SCALE: NONE	CAD FILE: TDG1026KC3.SLDDRW
				SHEET 1 OF 1