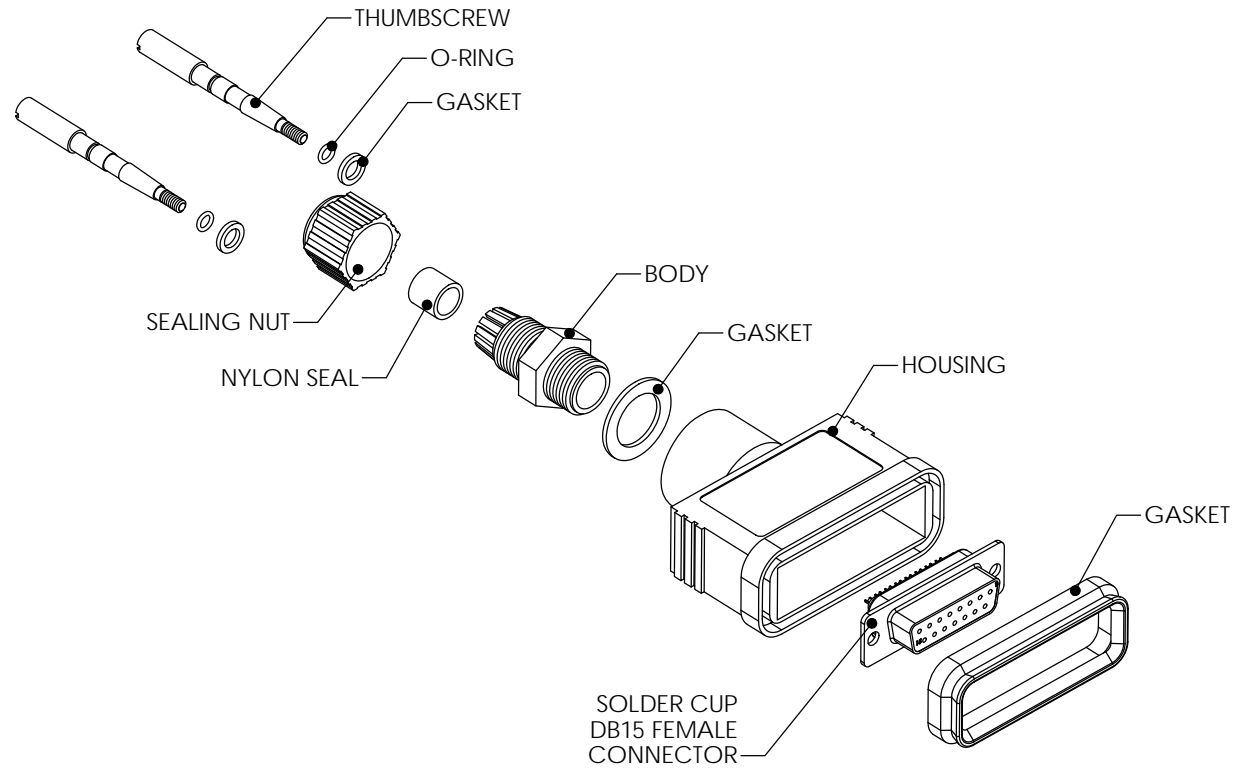
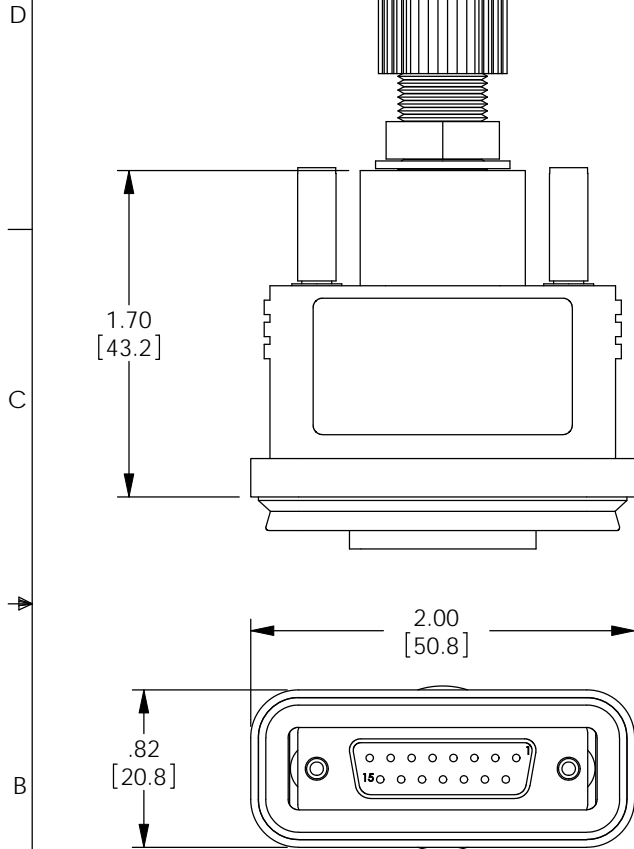


THE INFORMATION CONTAINED IN THIS DRAWING IS THE SOLE PROPERTY OF L-COM, INC. ANY REPRODUCTION IN PART OR WHOLE WITHOUT THE WRITTEN PERMISSION OF L-COM, INC. IS PROHIBITED.

REVISIONS			
REV	DESCRIPTION	DATE	APPROVED
A	INITIAL RELEASE	01/30/04	MCCORMICK
B	ECN 3957: CHANGE MATL HOUSING FROM NYLON TO ABS, NEW FORMAT	4/22/09	D.FRISIELLO
C	ECN 4278: ADDED OPERATING TEMPERATURE RANGE AND PACKAGING	10/1/09	D.FRISIELLO



- NOTES:**
1. RECOMMENDED CABLE DIAMETER: 0.236 ϕ THRU 0.394 ϕ
 2. IP (INGRESS PROTECTION) RATING: 67.
 3. OPERATING TEMPERATURE RANGE: -40°C TO +105°C.
 4. COMPONENT ASSEMBLY SHALL BE INDIVIDUALLY PACKAGED IN ACCORDANCE WITH L-COM SPECIFICATION PS-0031.

MATERIALS:
 GASKETS: EPDM
 BODY: NYLON
 HOOSING: ABS
 O-RING: SILICONE
 SEAL: EPDM
 SEALING NUT: NYLON
 THUMBSCREW: BRASS

FINISH:
 THUMBSCREW: NICKEL PLATE

RoHS Compliant ✓

UNLESS OTHERWISE SPECIFIED, DIMENSIONS ARE IN INCHES [mm] DIMENSIONAL TOLERANCES: .X = ± 0.1 .XX = ± 0.02 .XXX = ± 0.005 ANGULAR TOLERANCES: ALL = $\pm 1^\circ$	APPROVALS	DATE	 45 BEECHWOOD DRIVE NORTH ANDOVER, MA 01845	
	DRAWN BY C.MCCORMICK	01/28/2004		CATEGORY DATA CABLING
	CHECKED BY D.PARHAM	01/28/2004		PRODUCT DESCRIPTION DB15 FEMALE WATERPROOF CONNECTOR
	APPROVED BY R.CARRICK	01/28/2004		
PROJECTION 	CONFIGURATION DETAILS OF UNDIMENSIONED FEATURES MAY VARY	COLOR VARIATIONS MAY OCCUR	SCALE: NONE CAD FILE: WPDB15S-KIT.SLDDRW SHEET 1 OF 1 SIZE A FSCM NO. 43321 DWG. NO. WPDB15S-KIT REV. C	