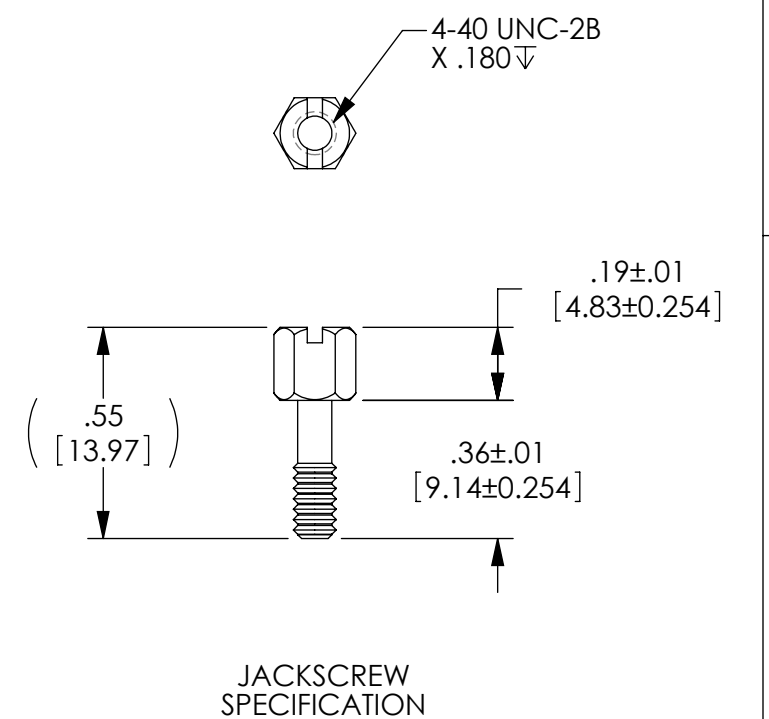
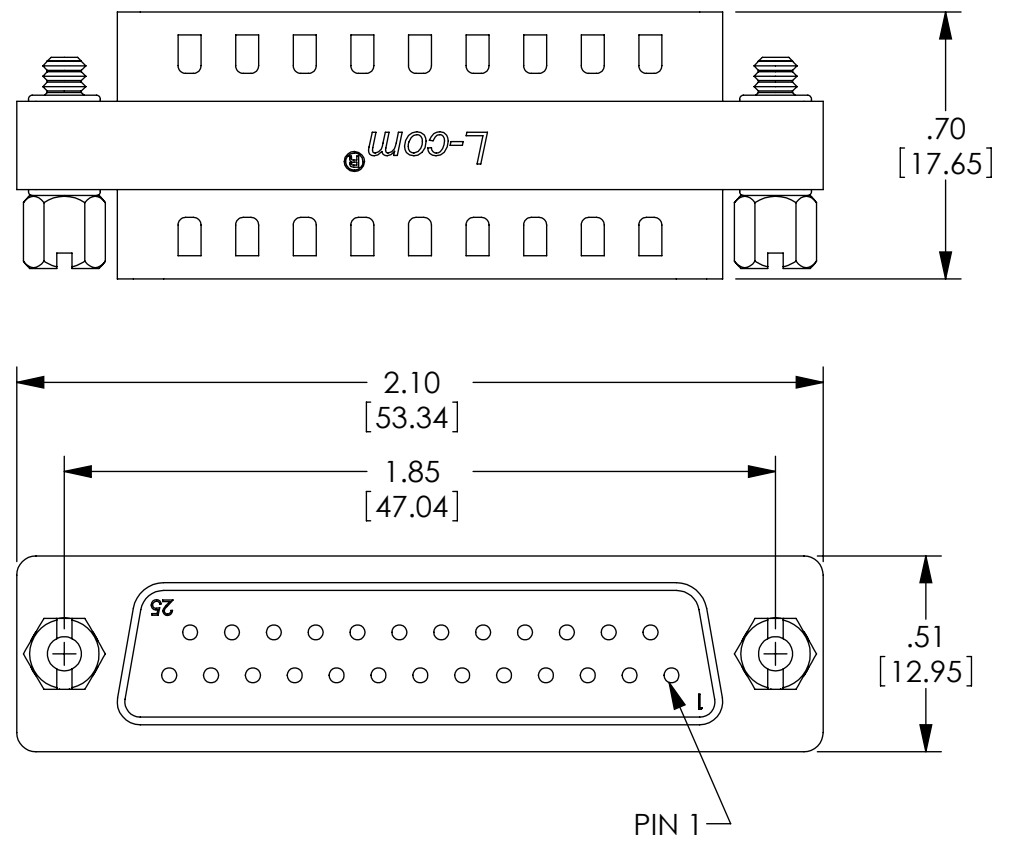
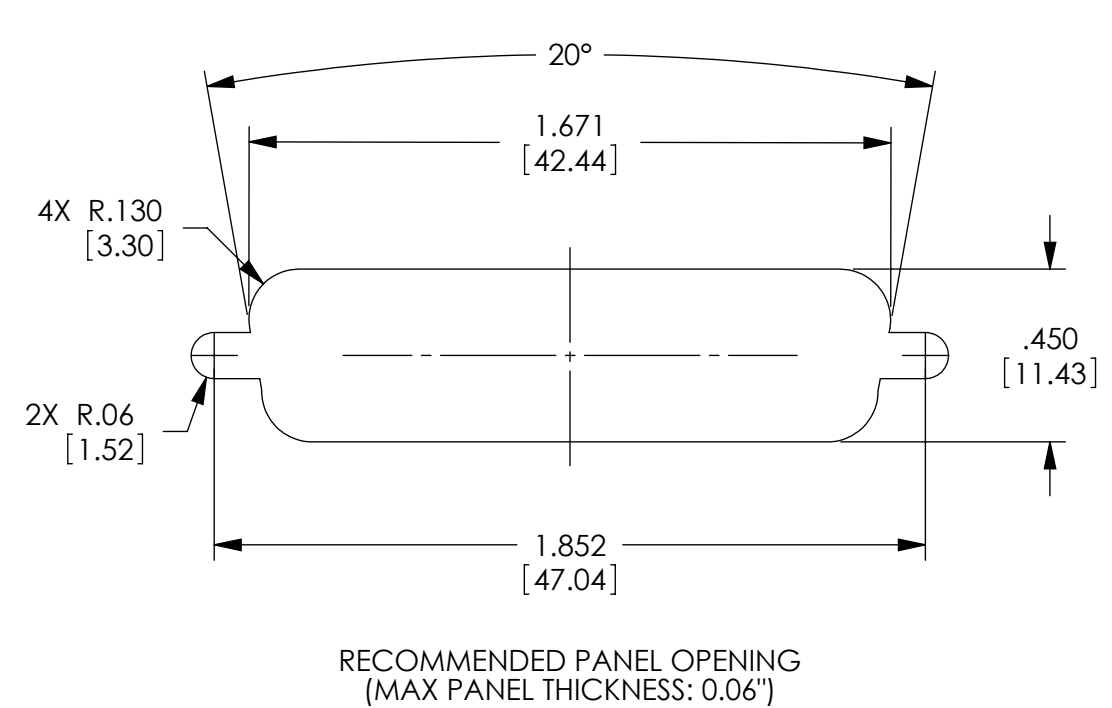


THE INFORMATION CONTAINED IN THIS DRAWING IS THE SOLE PROPERTY OF L-COM, INC. ANY REPRODUCTIONS IN PART OR WHOLE WITHOUT THE WRITTEN PERMISSION OF L-COM, INC. IS PROHIBITED.

| REVISIONS | | | |
|-----------|----------------------------------------------|----------|-------------|
| REV | DESCRIPTION | DATE | CHANGED BY |
| F | ECN 99999: UPDATED DRAWING AND NEW FORMAT | 1/22/10 | D.FRISIELLO |
| G | ECN 5089: REMOVE HEX NUT (FIX CONFIGURATION) | 10/19/10 | D.FRISIELLO |
| | | | |



NOTES:

MATERIAL:
SHELL: STEEL
CONTACTS: COPPER ALLOY
HARDWARE: BRASS
INSULATOR: PBT FIBER REINFORCED (UL94V-0 RATED)

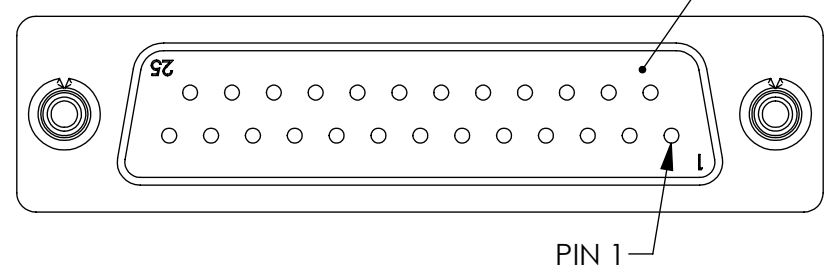
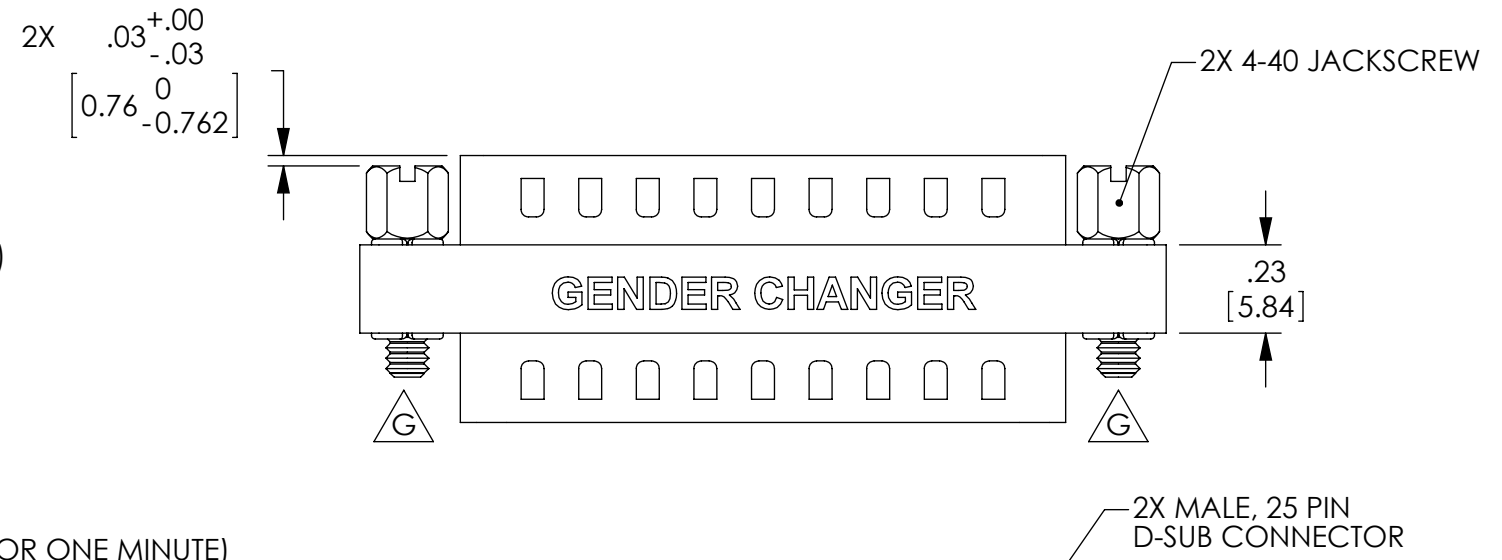
FINISH:
SHELL: TIN/NICKEL PLATED
CONTACTS: GOLD FLASH PLATED, 1-5μ INCHES
HARDWARE: NICKEL PLATED

ELECTRICAL:
CURRENT RATING: 3 AMP
INSULATION RESISTANCE: 1000 MΩ MIN @500 VDC
DIELECTRIC WITHSTANDING VOLTAGE: 1000 VAC (FOR ONE MINUTE)

MISCELLANEOUS:
OPERATING TEMPERATURE RANGE: -55°C TO +105°C.
ALL PINS WIRED STRAIGHT THROUGH.
COMPONENT SHALL BE TESTED FOR CONTINUITY.

LABELING:
PANTONE 2945 BLUE. "L-COM" FONT MyriaMM ITALIC.
"GENDER CHANGER" FONT ARIAL BOLD, TEXT HEIGHTS; .085"
TEXT COLOR; WHITE.

PACKAGING:
COMPONENT SHALL BE INDIVIDUALLY PACKAGED IN ACCORDANCE WITH L-COM SPECIFICATION PS-0031.



RoHS Compliant ✓

UNLESS OTHERWISE SPECIFIED, DIMENSIONS ARE IN INCHES [mm]

DIMENSIONAL TOLERANCES:
.X = ±.1
.XX = ±.01
.XXX = ±.005

ANGULAR TOLERANCES:
ALL = ± 1°

PROJECTION

| APPROVALS | DATE |
|-------------------------|------------|
| DRAWN BY R.CARRICK | 09/28/2000 |
| CHECKED BY T.CLARK | 09/28/2000 |
| APPROVED BY D.PARHAM | 09/28/02 |

CONFIGURATION DETAILS OF UNDIMENSIONED FEATURES MAY VARY

COLOR VARIATIONS MAY OCCUR

| | | | |
|---------------------------------------------------|------------------------|--------------------------------------------------|----------------|
| L-com Global Connectivity | | 45 BEECHWOOD DRIVE NORTH ANDOVER, MA 01845 | |
| CATEGORY: D-SUBMINIATURE | | | |
| PRODUCT DESCRIPTION: ADPT GNDR CHGR DB25 M/M SLIM | | | |
| SIZE: B | FSCM NO.: 43321 | DWG. NO.: DGB25M | REV.: G |
| SCALE: 2:1 | | CAD FILE: DGB25M.SLDDRW | SHEET 1 OF 1 |