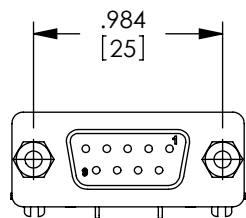
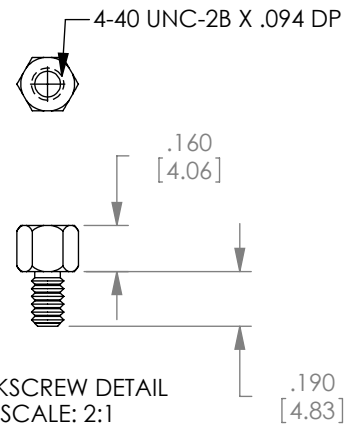
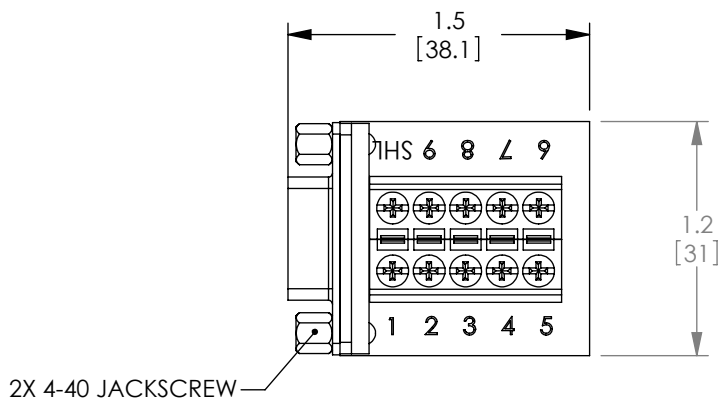


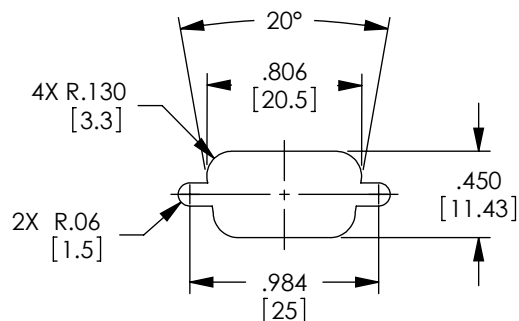
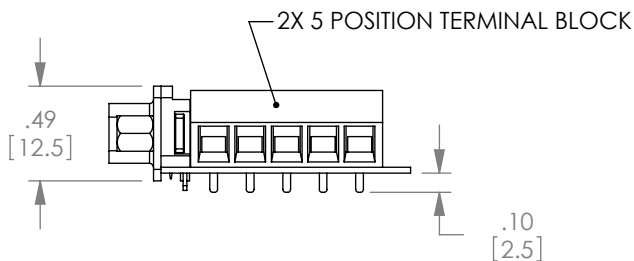
THE INFORMATION CONTAINED IN THIS DRAWING IS THE SOLE PROPERTY OF L-COM, INC. ANY REPRODUCTION IN PART OR WHOLE WITHOUT THE WRITTEN PERMISSION OF L-COM, INC. IS PROHIBITED.

REVISIONS			
REV	DESCRIPTION	DATE	APPROVED
A	INITIAL RELEASE	5/10/04	DFP
B	ECN 4308: ADDED VOLTAGE, AMPS & PACKAGING NOTES	10/12/09	D.FRISIELLO
C	ECN 5463: ADDED PANEL CUTOUT,UPDATED FORMAT	4/26/11	D. CASTRO

WIRING TABLE	
DB9 PIN #	TERMINAL BLOCK #
1	1
2	2
3	3
4	4
5	5
6	6
7	7
8	8
9	9
SHELL	SHL



FEMALE, 9 CONTACT D-SUB CONNECTOR



RECOMMENDED PANEL OPENING (MAX PANEL THICKNESS: 0.06")



RoHS Compliant ✓

NOTES:

VOLTAGE RATING: 1000V AC & 500V DC.
CURRENT RATING: 3 AMPS

COMPONENT ASSEMBLY SHALL BE INDIVIDUALLY IN ACCORDANCE WITH L-COM SPECIFICATION PS-0031.

UNLESS OTHERWISE SPECIFIED, DIMENSIONS ARE IN INCHES [mm] OVERALL CABLE LENGTH TOLERANCE: $\le 12 [305] = +1 [25] / -0$ $>12 [305] \le 60 [1524] = +2 [51] / -0$ $>60 [1524] \le 120 [3048] = +4 [102] / -0$ $>120 [3048] \le 300 [7620] = +6 [152] / -0$ $>300 [7620] = +3\% / -0\%$	APPROVALS	DATE		45 BEECHWOOD DRIVE NORTH ANDOVER, MA 01845
	DRAWN BY D. PARHAM	4/28/2004		
ALL OTHER DIMENSIONAL TOLERANCES: .X = ±.2 .XX = ±.02 .XXX = ±.005	CHECKED BY T. CLARK	4/29/2004	CATEGORY DATA	
	APPROVED BY C. McCORMICK	5/7/2004	PRODUCT DESCRIPTION FIELD INSTALLABLE DB9	
PROJECTION 	CONFIGURATION DETAILS OF UNDIMENSIONED FEATURES MAY VARY	COLOR VARIATIONS MAY OCCUR	SIZE A	FSCM NO. 43321
			DWG. NO. DGB9FT	REV. C
			SCALE: NONE	CAD FILE: DGB9FT.SLDDRW
				SHEET 1 OF 1