

## NAVIGATE THE CATALOG BY SECTION

[1](#) [2](#) [3](#) [4](#) [5](#) [6](#) [7](#) [8](#) [9](#) [10](#) [11](#) [12](#) [13](#) [14](#) [15](#) [16](#) [17](#) [18](#) [19](#)

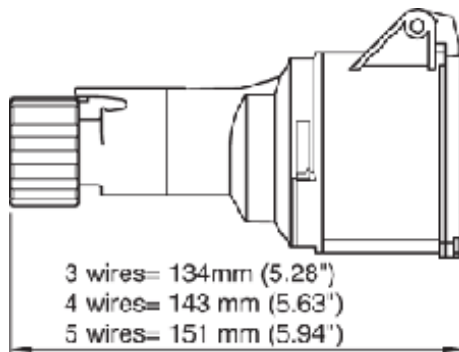


## LAPP ONLINE CATALOG

### EPIC® Pin & Sleeve Connectors

#### 20 Amp: North American Version

ALUPRES Aluminum Enclosures Direct Connect



### TECHNICAL DATA

<b>Impact Resistance:</b>	8J
<b>Ambient Temperature:</b>	-25°C to 70°C
<b>Flame Resistance:</b>	
➤ <b>Glow Wire Test: Enclosure:</b>	850°C
➤ <b>Glow Wire Test: Contact Enclosure:</b>	850°C
➤ <b>Self-Extinguishing: Enclosure:</b>	UL94-V2
➤ <b>Self-Extinguishing: Contact Carrier:</b>	UL94-V2

## PART NUMBERS

Part Number	Voltage	# of Wires	# of Poles	Ground-Clock Position
720124FX	125	3	1+N+PE	4
720126FX	250	3	2+PE	6
720127FX	480	3	2+PE	7
720123FX	250 DC	3	2+PE	3
721132FX	125/250	4	2+N+PE	12
720139FX	3Ø250	4	3+PE	9
720137FX	3Ø480	4	3+PE	7
720135FX	3Ø600	4	3+PE	5
720149FX	3ØY 120/208	5	3+N+PE	9
720147FX	3ØY 277/480	5	3+N+PE	7
720145FX	3ØY 347/600	5	3+N+PE	5
720142FX	50-250 (500 Hz)	5	3+N+PE	2

## MATING COMPONENTS

- [MULTIMAX Male Plug with Cable Sleeve, IP 44](#)
- [CEE Straight Male Plug with Cable Gland, IP 44](#)
- [CEE 90° Male Plug with Cable Gland, IP 44](#)
- [CEE Angled 82° Male Inlet, IP 44](#)



**DOWNLOAD PDF CATALOG PAGE**

---

**LAPP USA • LAPP CANADA • LAPP MEXICO**  
Headquarters: 29 Hanover Road, Florham Park, NJ 07932  
800-774-3539 • FAX: 973-660-9330 • [sales@lappusa.com](mailto:sales@lappusa.com)