

## NAVIGATE THE CATALOG BY SECTION

[1](#) [2](#) [3](#) [4](#) [5](#) [6](#) [7](#) [8](#) [9](#) [10](#) [11](#) [12](#) [13](#) [14](#) [15](#) [16](#) [17](#) [18](#) [19](#)



## LAPP ONLINE CATALOG

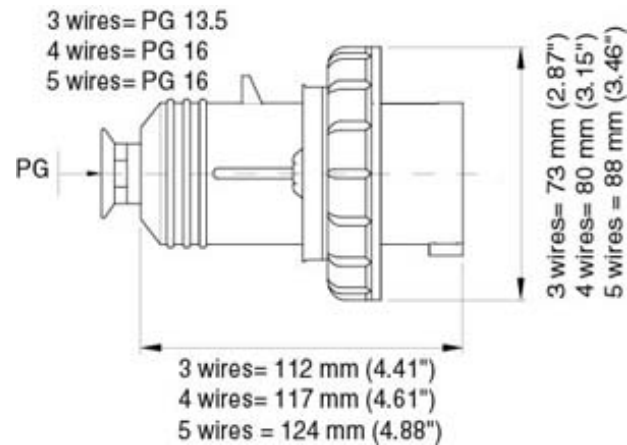
### EPIC® Pin & Sleeve Connectors

#### 20 Amp: North American Version

CEE Straight Male Plugs with Cable Gland



IP 67



### TECHNICAL DATA

<b>Impact Resistance:</b>	8J
<b>Ambient Temperature:</b>	-25°C to 70°C
<b>Flame Resistance:</b>	
➤ <b>Glow Wire Test: Enclosure:</b>	850°C
➤ <b>Glow Wire Test: Contact Enclosure:</b>	850°C

➤ **Self-Extinguishing: Enclosure:** UL94-V2

➤ **Self-Extinguishing: Contact Carrier:** UL94-V2

## PART NUMBERS

Part Number	Voltage	# of Wires	# of Poles	Ground-Clock Position
477203FX	125	3	1+N+PE	4
477303FX	250	3	2+PE	6
477273FX	480	3	2+PE	7
477673FX	250 DC	3	2+PE	3
477833FX	125/250	4	2+N+PE	12
477313FX	3Ø250	4	3+PE	9
477513FX	3Ø480	4	3+PE	7
NA	3Ø600	4	3+PE	5
477323FX	3ØY 120/208	5	3+N+PE	9
477523FX	3ØY 277/480	5	3+N+PE	7
NA	3ØY 347/600	5	3+N+PE	5
477293FX	50-250 (500 Hz)	5	3+N+PE	2

## MATING COMPONENTS

- [CEE Straight Female Connector with Cable Gland, IP 67](#)
- [CEE Angled Female Panel Mount Receptacle, 67](#)
- [ULYSSE Switched Socket Outlet with Fuse Holder, 66/67](#)
- [ALUPRES Switched Socket Outlet: Direct Connect, IP 65](#)



**DOWNLOAD PDF CATALOG PAGE**

---

**LAPP USA • LAPP CANADA • LAPP MEXICO**  
Headquarters: 29 Hanover Road, Florham Park, NJ 07932  
800-774-3539 • FAX: 973-660-9330 • [sales@lappusa.com](mailto:sales@lappusa.com)

---