

EPIC® Rectangular Connectors



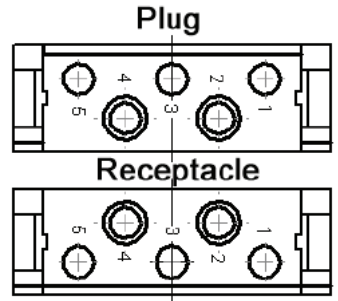
MC Series Plugs & Receptacles

5 CONTACT HIGH VOLTAGE MODULES



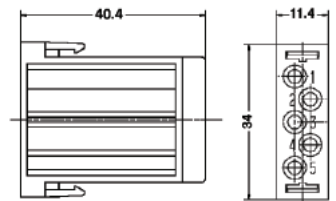
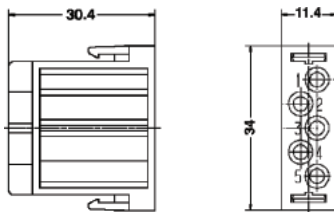
Rated Voltage:
400V

Rated Current:
20A



Plug

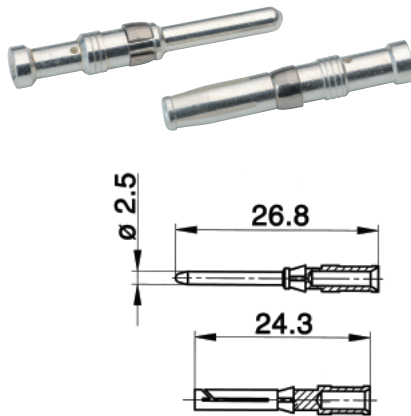
Receptacle



| Plug | Receptacle |
|----------|------------|
| 10382200 | 10382300 |

Contacts Sold Separately

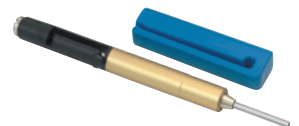
MACHINE CONTACTS: DIAMETER 2.5 MM



| Bags of 100 | | | | | |
|-----------------|-----|----------|----------|-----------------------|---------------------|
| mm ² | AWG | Silver | | Stripping Length (mm) | # of Marking Tracks |
| | | Pin | Socket | | |
| 0.5 | 20 | 1121300C | 1121800C | 7.8 | - |
| 0.75 - 1.0 | 18 | 1121310C | 1121810C | 7.8 | 1 |
| 1.5 | 16 | 1121320C | 1121820C | 7.8 | 2 |
| 2.5 | 14 | 1121330C | 1121830C | 7.8 | 3 |
| 4.0 | 12 | 1121340C | 1121840C | 7.8 | - |

Part number= 1 contact

CRIMP TOOLS



Crimp Tool
11147000

Crimp Dies
11147100

Locator
11147200

Removal Tool
11171000