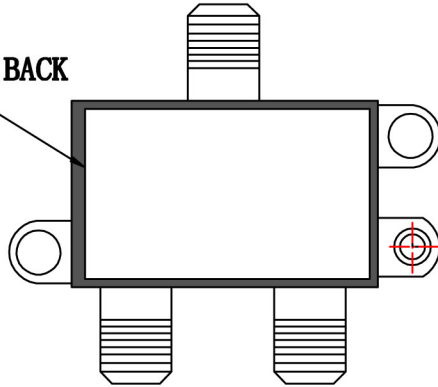
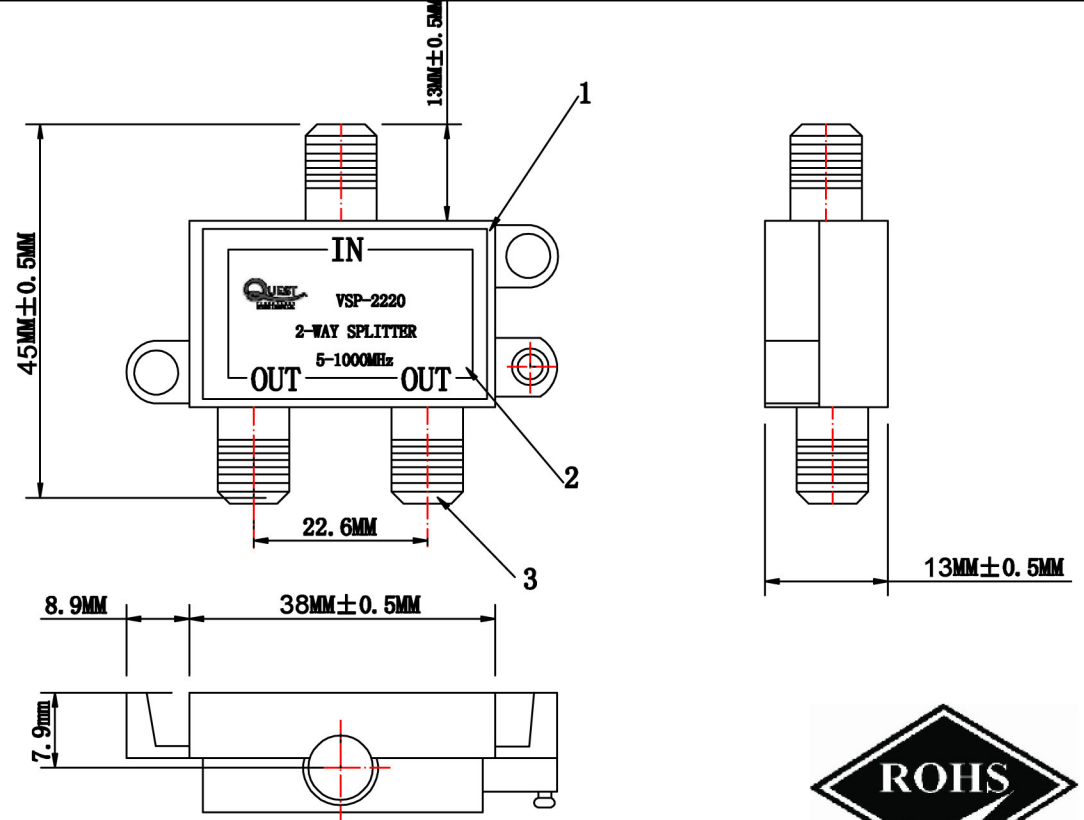


SOLDER BACK



BACK SIDE



PARAMETERS

ITEM NO.	SPEC.	FREQUENCY RANGE	INSERTION LOSS (DB)	ISOLATION (DB)	RETURN LOSS (DB)
		5-47MHZ	3.8 ± 1DB	20 ± 1DB	12 ± 1DB
VSP-2220 ALLPORTS	5-1000MHZ	47-470MHZ	4.0 ± 1DB	20 ± 1DB	12 ± 1DB
POWER PASS		470-860MHZ	4.5 ± 1DB	23 ± 1DB	12 ± 1DB
		860-1000MHZ	4.8 ± 1DB	21 ± 1DB	12 ± 1DB

NO.	Q' TY	DESC.	MATERIAL
1	1	Housing	Zinc-Alloy, Nickel plated
2	1	Back plate	Iron, Nickel plated
3	3	F-Port	Zinc-Alloy, Nickel plated
4	2	Mounting screws	Iron, Nickel plated



Quest Technology Int'l, Inc.
11200 NW 138th St., Medley, FL 33178
Tel: 906-818-8680 Fax: 906-812-0676
www.QuestTechnologyInt.com

DESCRIPTION		2 WAY SPLITTER	
PART NO		VSP-2220	
CONSUMER			
DATE	2016/07/04	REV.	
SHEET	1/1	UNIT	mm
SCALE		1:1	

DRAW

JACKY

CHECK

APP.