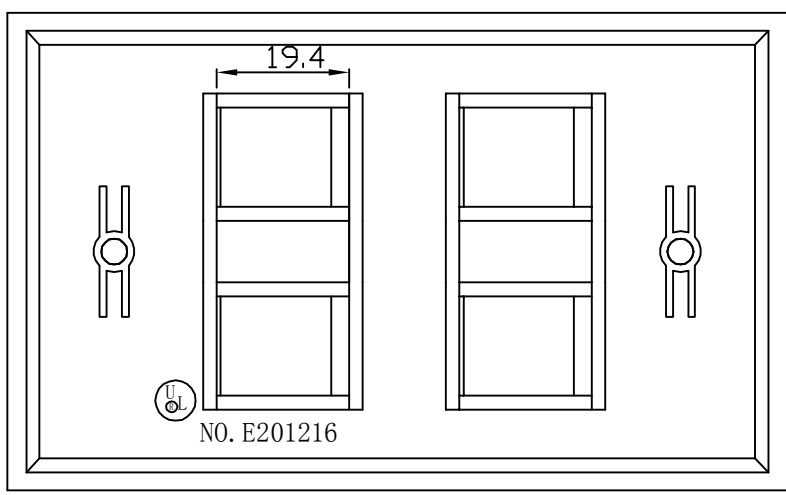
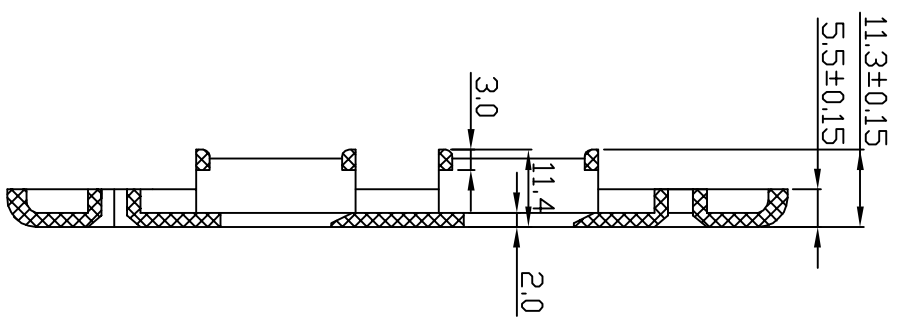
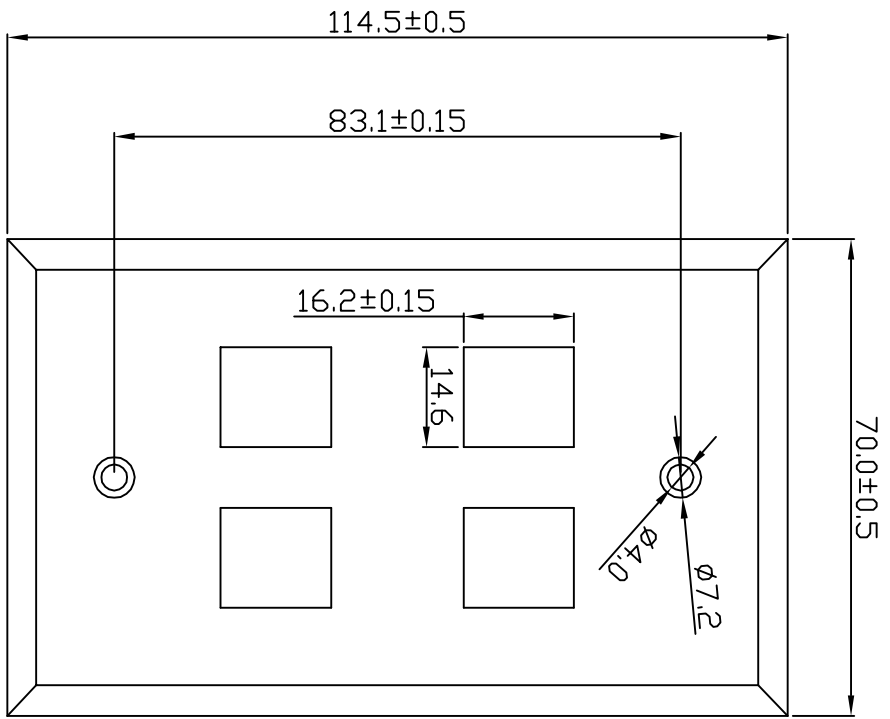
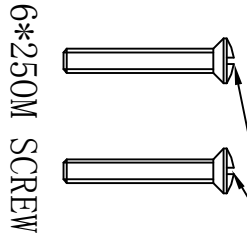


4 PORTS KEYSTONE FACEPLATE



PLATED WITH LACQUER

OTHER TOLERANCE: 0.1



		DESCRIPTION	KEYSTONE WALL PLATE	SCALE	FIT	UNITS: MM	IRD ANGLE
		MODEL NO.	NPP-101X				
APPROVED	CHECKED	DRAWING	DESIGNED	DRAWING NO.			
	John Gao	Steven Cheng	John Gao	99-CAT4-0001			
				FINISHING	▲	08/25/2005	A1
				MATERIAL	SYM		REVISION