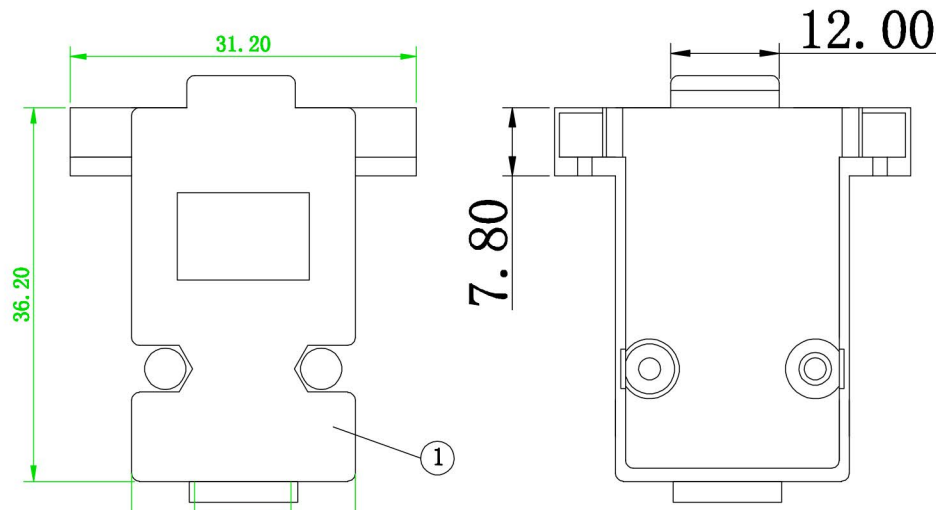
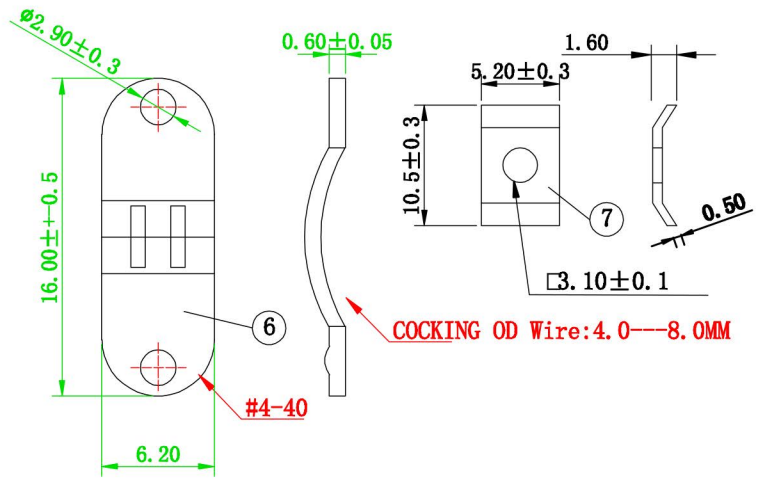
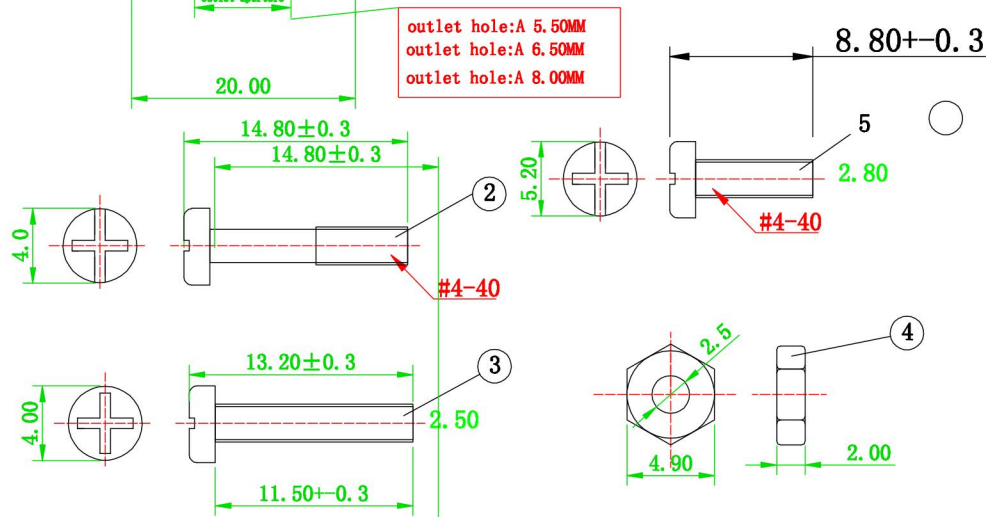


REVISION INFORMATION			
Rev.	Rev. Date	Modified By	Brief Description




D-SUB09P assembly shell

Item	name	ty	material
①	top and bottom shell	1 SET	ABSgray
②	screw	2 PCS	iron plated nickel
③	set screws	2 PCS	iron plated nickel
④	hold-down nut	2 PCS	iron plated nickel
⑤	Thread clamp screw	2 PCS	iron plated nickel
⑥	Thread clamp clip	2 PCS	iron plated nickel
⑦	Thread clamp clip gasket	2 PCS	iron plated nickel



material  
color:ABS gray



Quest Technology Int'l, Inc.  
11200 NW 138th St., Medley, FL 33178  
Tel: 305-513-8583 Fax: 305-513-9675  
www.QuestTechnologyIntl.com

DRAWN BY	DATE: 2012/7/6	DESCRIPTION: DB9 Plastic floods screw Type
CHECKED BY	SHEET 1 of 1	ITEM NO. DSH-5109
APPROVED BY	SCALE 1:1	REV. 00 UNIT: mm