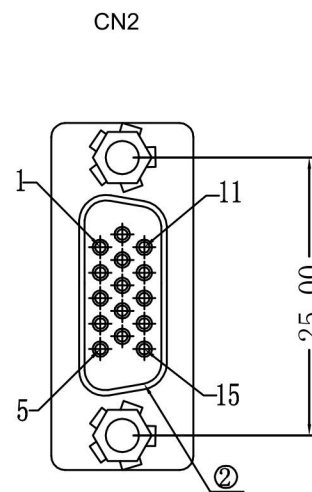
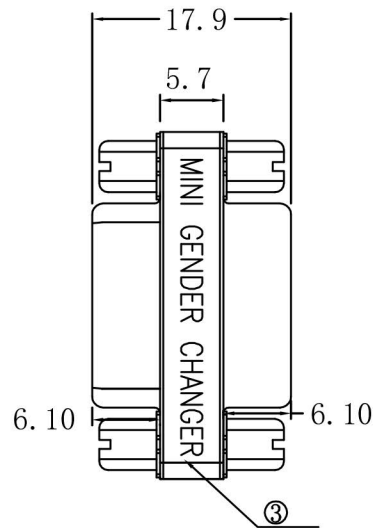
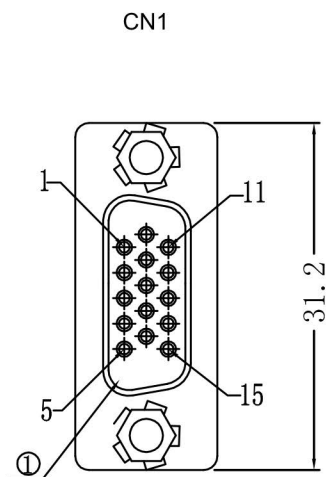
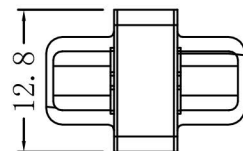
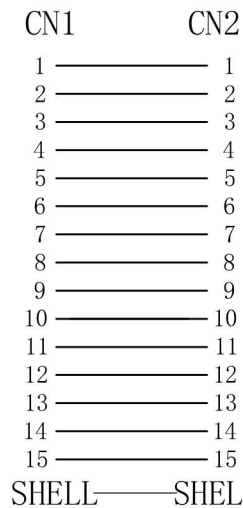


NOTE:ALL MATERIAL COMPLIANT ROHS STANDARD

REVISION INFORMATION			
Rev.	Rev. Date	Modified By	Brief Description



WIRE DIAGRAM



NOTE:

- 100% short/open circuited&wrong connection test conditions.
- Conduction impedance $\leq 5\Omega$, Insulation resistance $\geq 10M\Omega$. High voltage test, DC300V/10mS
- Marked with ▲ which is important measurement dimensions

		Quest Technology Int'l, Inc. 11200 NW 138th St., Medley, FL 33178 Tel: 305-513-8583 Fax: 305-513-9675 www.QuestTechnologyintl.com		
		DRAWN BY	DATE: 2015/12/25	DESCRIPTION: DB15HD Female/Female Mini Gender Changer
CHECKED BY		SHEET 1of1	ITEM NO. NGC-1088	
APPROVED BY		SCALE 1:1	REV. 00	UNIT:mm

NO.	PART NAME	SPECIFICATION DESCRIPTION	QTY	UNIT
①	CONN	DB 15P F CONNECOR	1	PCS
②	CONN	DB 15P F CONNECOR	1	PCS
③	THE CONNECTION	CONNECTOR THE CONNECTION	15	PCS

Unless specified on the drawing, tolerances are per the follows:

.	+1
.x	+0.2
.xx	+0.05

