



### 26PCFFA6G



*Actual product appearance may vary.*

**Pressure Sensors: Measurement Type:**  
**Gage, Vacuum Gage; Signal**  
**Conditioning: Unamplified; Pressure**  
**Range:  $\pm 100$  psi; Port Style: Straight**

#### Features

- Lowest priced sensor with temperature compensation and calibration
- Variety of gage pressure port configurations - easily and quickly modified for your special needs
- Operable after exposure to frozen conditions
- Choice of termination for gage sensors
- Calibrated null and span
- Temperature compensated
- Provides interchangeability
- Can be used to measure vacuum or positive pressure

#### Description

The factory calibrated 26PC Series miniature pressure sensors provide reliable gage pressure sensing performance in a compact package. The sensor features a proven sensing technology that utilizes a specialized piezoresistive micro-machined sensing element which allows part interchangeability, high performance, reliability, and accuracy. The low power, non-amplified, non-compensated Wheatstone bridge circuit design provides inherently stable mV outputs over 1.0 psi through 250 psi sensing ranges.

#### Potential Applications

##### Medical

- Oxygen and nitrogen gas distribution in hospitals

- Dental chairs

##### Environmental

- Water control valves
- Instrumentation
- Irrigation equipment
- Filter monitoring equipment

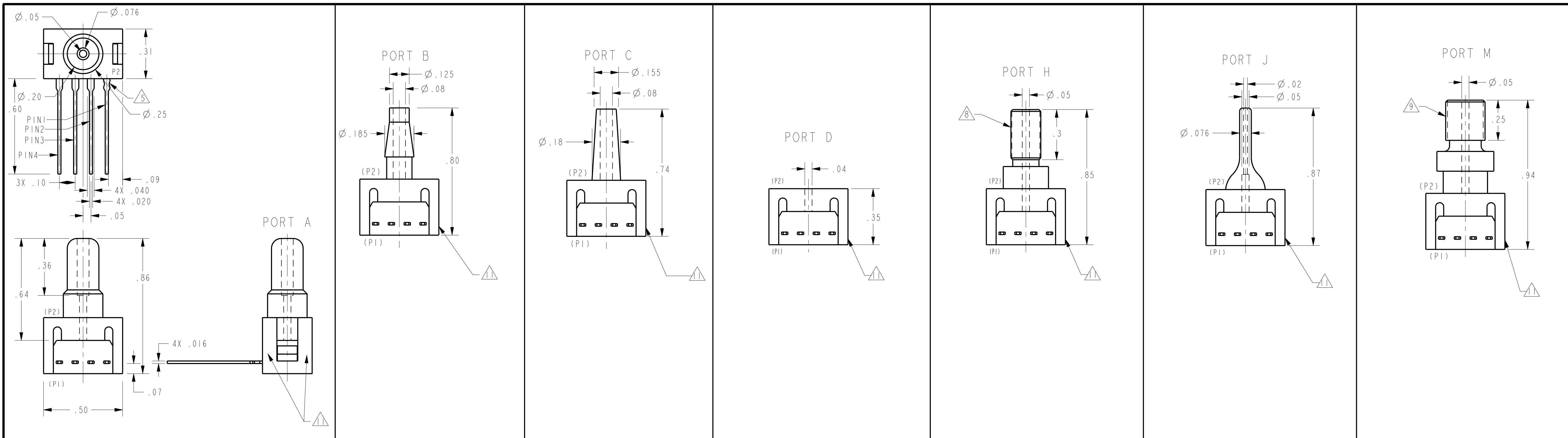
##### Industrial Instrumentation

- Robotics
- Pressure valves
- Leak detection
- Air compressors

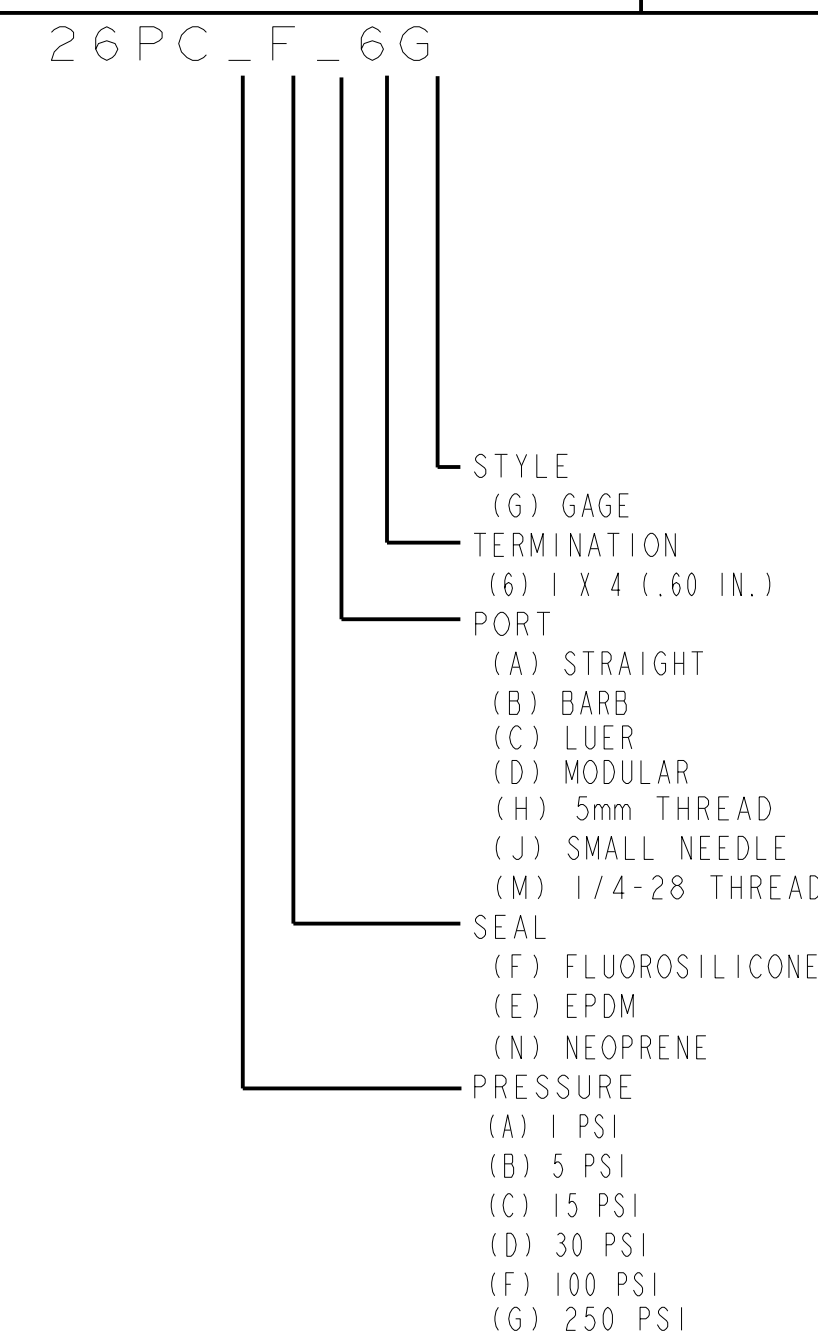
##### Analytical Instrumentation

- Gas chromatography

Product Specifications	
Measurement Type	Vacuum Gage, Gage
Signal Conditioning	Unamplified
Pressure Range	± 100 psi
Maximum Overpressure	200 psi
Supply Voltage	10.0 Vdc typ., 16.0 Vdc max.
Compensated	Yes
Output Calibration	Yes
Response Time	1 ms max.
Termination	PCB; 1 x 4; 0.600 in
Port Style	Straight
Package Style	Honeywell - 20PC
Linearity	0.40 % span typ., 0.60 % span max.
Typical Sensitivity	1 mV/psi
Full Scale Span	100 mV typ.
Null Offset	0 mV typ.
Null Shift over Temperature	± 1.0 mV typ., ± 2.0 mV max.
Span Shift Over Temperature	± 0.5% span typ., ± 1.5% span max.
Repeatability & Hysteresis Error	± 0.20 % span typ.
Input Resistance	5.5 kOhm min., 7.5 kOhm typ., 11.5 kOhm max.
Output Resistance	1.5 kOhm min., 2.5 kOhm typ., 3.0 kOhm max.
Shock	Qualification tested to 150 g
Vibration	MIL-STD-202 Method 213 (150 g half sine 11 ms)
Weight	2 g [0.07 oz]
Operating Temperature Range	-40 °C to 85 °C [-40 °F to 185 °F]
Compensated Temperature Range	0 °C to 50 °C [32 °F to 122 °F]
Storage Temperature Range	-55 °C to 100 °C [-67 °F to 212 °F]
Media Compatibility	Limited to media which will not attack polyetherimide, silicon, flourosilicone, silicone, EPDM and neoprene seals.
UNSPSC Code	411121
UNSPSC Commodity	411121 Transducers
Availability	Global
Series Name	26PC



CATALOG LISTING	LASER BRAND
26PCCFH6G	6CF6G
26PCBFA6G	6BF6G
26PCCFA6G	6CF6G
26PCCFJ6G	6CF6G
26PCDFA6G	6DF6G
26PCFFA6G	6FF6G
26PCFAA6G	6AF6G
26PCBFM6G	6BF6G
26PCDFM6G	6DF6G
26PCFFM6G	6FF6G
26PCCFJ6G	6FF6G
26PCAFB6G	6AF6G
26PCAFH6G	6AF6G
26PCBFB6G	6BF6G
26PCBFC6G	6BF6G
26PCBFD6G	6BF6G
26PCBFH6G	6BF6G
26PCBFJ6G	6BF6G
26PCBFB6G	6BF6G
26PCCEB6G	6CE6G
26PCCFC6G	6CF6G
26PCCFD6G	6CF6G
26PCDFB6G	6DF6G
26PCDFD6G	6DF6G
26PCFEB6G	6FE6G
26PCGFA6G	6GF6G
26PCGFM6G	6GF6G
26PCAFM6G	6AF6G
26PCCFM6G	6CF6G
26PCCEA6G	6CE6G
26PCDFJ6G	6DF6G
26PCGNM6G	6GN6G



GENERAL OPERATING CHARACTERISTICS  
(ELECTRICAL PERFORMANCE AT 10.00±0.01 VDC EXCITATION, 25°C)

PRESSURE RANGE (PSI)	0 - 1			0 - 5			0 - 15			0 - 30			0 - 100			0 - 250			UNITS
	MIN	NOM	MAX	MIN	NOM	MAX	MIN	NOM	MAX	MIN	NOM	MAX	MIN	NOM	MAX	MIN	NOM	MAX	
SPAN (P2>P1) $\Delta$	14.7	16.7	18.7	47	50	53	97	100	103	97	100	103	95	100	105	143	150	157	mV
NULL OFFSET	-1.5	0	+1.5	-1.5	0	+1.5	-1.5	0	+1.5	-1.5	0	+1.5	-2.0	0	+2.0	-2.0	0	+2.0	mV
LINERITY (BFSL, P2>P1)	TYP MAX			TYP MAX			TYP MAX			TYP MAX			TYP MAX			TYP MAX			UNITS
NULL SHIFT (0 TO 25°C, 25 TO 50°C) $\Delta$	±0.5 ±1.0			±0.5 ±1.0			±0.5 ±1.0			±0.75 ±1.5			±1.0 ±2.0			±1.0 ±2.0			mV
SPAN SHIFT (0 TO 25°C, 25 TO 50°C) P2>P1 $\Delta$	±1.0 ±2.0			±1.0 ±1.5			±0.75 ±1.5			±0.75 ±1.5			±0.5 ±1.5			±0.5 ±1.5			%SPAN
REPEATABILITY AND HYSTERESIS	±0.5			±0.2			±0.2			±0.2			±0.2			±0.2			%SPAN
OVERPRESSURE (P2>P1; P1>P2)	20			20			45			60			200			500			PSI

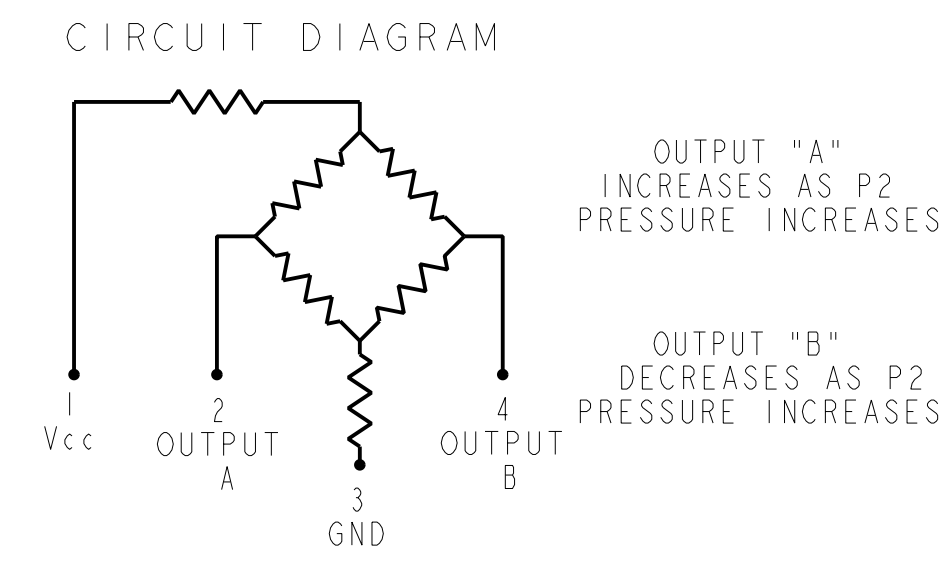
ALL PRESSURE RANGES

	MIN	NOM	MAX	UNITS
EXCITATION VOLTAGE		10	16	VDC
INPUT RESISTANCE	5.5K	7.5K	11.5K	OHMS
OUTPUT RESISTANCE	1.5K	2.5K	3.0K	OHMS
RESPONSE TIME			1.0	ms

TEMPERATURE RANGES

STORAGE	-55°C TO +100°C (-67°F TO +212°F)
OPERATE	-40°C TO +85°C (-40°F TO +185°F)
COMPENSATED	0 TO +50°C (+32°F TO +122°F)
OPERATE $\Delta$	-20°C TO +85°C

- NOTES
- SPAN IS THE ALGEBRAIC DIFFERENCE BETWEEN OUTPUT AT MAXIMUM RATED OPERATING PRESSURE AND OUTPUT AT 0 PSI
  - TEMPERATURE ERROR IS CALCULATED WITH RESPECT TO 25°C
  - INPUT MEDIA LIMITED ONLY TO THOSE MATERIALS THAT WILL NOT ATTACK SILICON, THE HOUSING MATERIAL OR SEAL MATERIAL
  - TERMINALS ARE PLATED FOR SOLDERING (LIMIT SOLDERING TO 315°F FOR 10 SECONDS MAXIMUM)
  - PIN 1 IS IDENTIFIED BY NOTCH IN LEAD
  - SENSOR IS OPERATIONAL OVER VACUUM PRESSURE RANGE
  - RATIOMETRIC TO SUPPLY VOLTAGE
  - M5 THREADED PRODUCT  
RECOMMENDED TORQUE FOR SEALING: 4 IN-LBS  
DO NOT EXCEED 6 IN-LBS OF TORQUE  
SIZE 007 O-RING  
O-RING COUNTERBORE DIMENSIONS  
Ø .300±.003 X  $\nabla$  .040
  - 1/4-28 UNF THREADED PRODUCT:  
RECOMMENDED TORQUE FOR SEALING: 8 IN-LBS  
DO NOT EXCEED 12 IN-LBS OF TORQUE  
SIZE 009 O-RING  
O-RING COUNTERBORE DIMENSIONS:  
Ø .360±.003 X  $\nabla$  .040±.002
  - THIS IS FOR CATALOG LISTINGS WITH EPDM SEALS ONLY
  - CATALOG LISTING AND DATE CODE HERE. ALTERNATE FORMAT OF CATALOG LISTING BRAND IS THE ENTIRE CATALOG LISTING



METRIC	INCHES
0.41	.016
0.51	.020
1.02	.040
1.3	.05
1.8	.07
1.93	.076
2.0	.08
2.3	.09
2.5	.10
5.1	.20
6.4	.25
7.9	.31
9.1	.36
12.7	.50
15.3	.60
16.3	.64
20.4	.80
21.6	.85
21.8	.86
22.1	.87
23.9	.94

THIRD ANGLE PROJECTION

SCALE 3 : 1

DO NOT SCALE PRINT

UNLESS OTHERWISE SPECIFIED TOLERANCES ARE

ONE PLACE (.0) +.030  
TWO PLACE (.00) +.015  
THREE PLACE (.000) +.005  
ANGLES +

WEIGHT 2 OZ.

THIS DRAWING COVERS A PROPRIETARY ITEM AND IS THE PROPERTY OF MICRO SWITCH, A DIVISION OF HONEYWELL. THIS DRAWING IS NOT TO BE COPIED OR USED WITHOUT THE APPROVAL OF MICRO SWITCH.

FED. MFG. CODE 91929

**MICRO SWITCH**  
a Honeywell Division

**BRIDGE PRESSURE SENSOR**

CATALOG LISTING  
**26PC SERIES CHART 5**