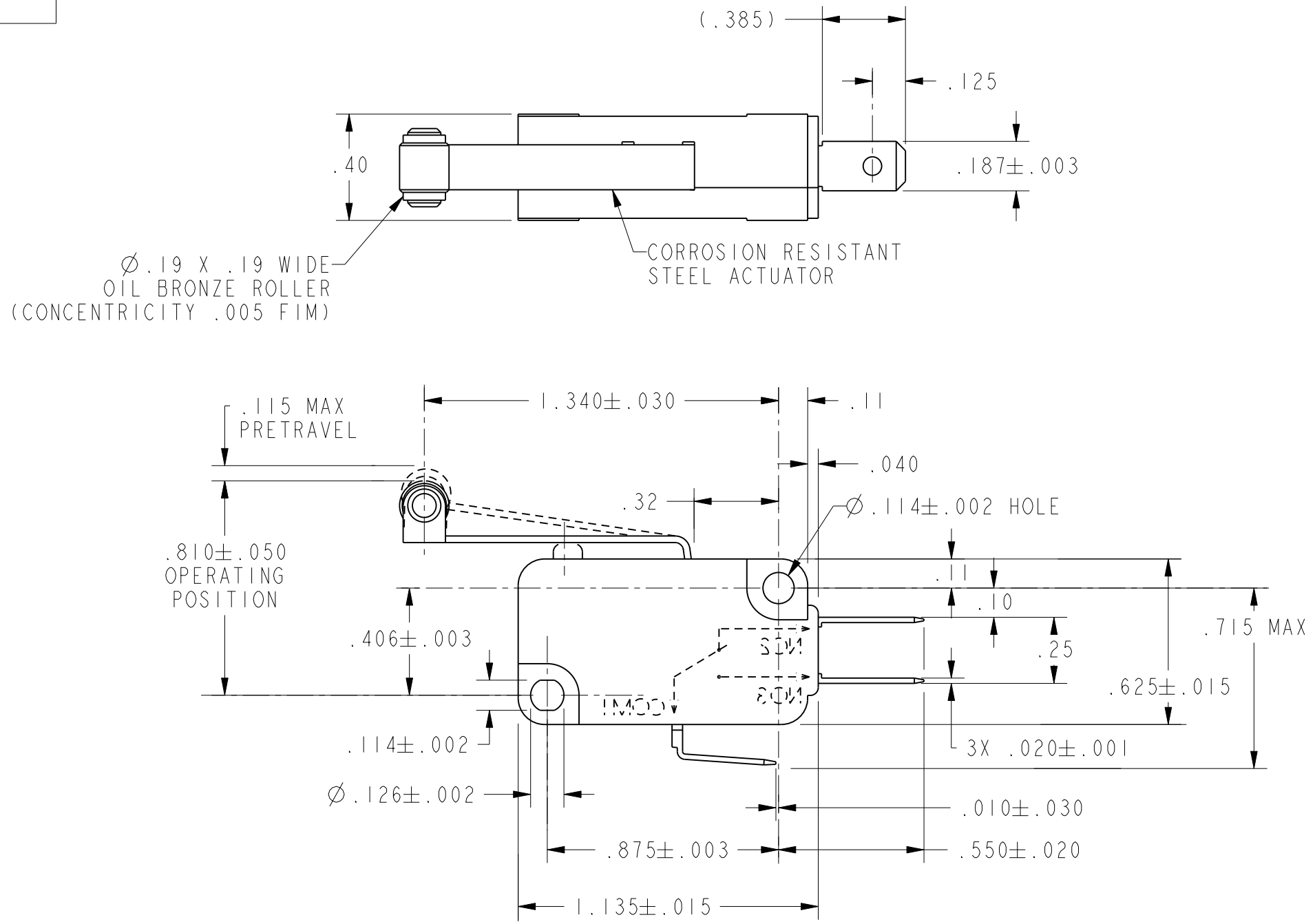


HONEYWELL
PART NUMBER

-

REV	DOCUMENT	CHANGED BY	CHECK
4	0041135	VS 26JUN08	BLR



RELEASE NO	CATALOG LISTING
PR-18883	V7-1C17D8-207
	CW-B5419

CHARACTERISTICS	
OPERATING FORCE-----	90 GRAMS MAX
RELEASE FORCE -----	9 GRAMS MIN
DIFFERENTIAL TRAVEL-----	.025 MAX
OVERTRAVEL-----	.060 MIN
RELEASE TRAVEL-----	.016 MIN

ELECTRICAL DATA	
CONTACT ARRANGEMENT	
S P D T	
L215	
15.1A 1/2HP 125, 250 OR 277 VAC	
1/2A 125 VDC	
1/4A 250 VDC; 5A 125 VAC "L"	

UNLESS OTHERWISE SPECIFIED TOLERANCES ARE:

	<input checked="" type="checkbox"/> US (inch) CUSTOMARY	<input type="checkbox"/> SI (mm) METRIC
NO PLACE	X ±.040	±1
ONE PLACE	.X ±.030	±0,4
TWO PLACE	.XX ±.015	±0,15
THREE PLACE	.XXX ±.005	±
ANGLES	± -	±
RAW MATERIAL-COMMERCIAL STANDARD		

THIRD ANGLE PROJECTION

DRAWN	BAB	14DEC90
CHECK	WJC	31DEC90
THIS DRAWING COVERS A PROPRIETARY ITEM AND IS THE PROPERTY OF HONEYWELL. THIS DRAWING IS NOT TO BE COPIED OR USED WITHOUT THE PERMISSION OF HONEYWELL.		
DIMENSIONS ARE TO BE MET BEFORE PROTECTIVE COATINGS ARE APPLIED		
PTC 2D	ASME Y14.5M-1994	

Honeywell			
TITLE SWITCH, BASIC			
SIZE	DWG TYPE	DRAWING NAME	REV
B	I	V7-1C17D8-207	4
SCALE	NONE	WEIGHT	SHEET 1 OF 1