



2DM1



Actual product appearance may vary.

Snap-in Panel Mount Switch, Double Pole Double Throw (DPDT) Circuitry, 10 A at 277 Vac, Bullet Nose Plunger Actuator, Silver Contacts, Quick Connect Termination

Features

- Attractive, rugged snap-in panel mount design - easy installation
- Choice of momentary, alternate push-pull or pull-to-cheat operation
- Quick-connect terminals
- Expected mechanical life: 1 million operations, 95% survival
- UL recognized file #E22779, CSA certified file #LR4442

Potential

Applications

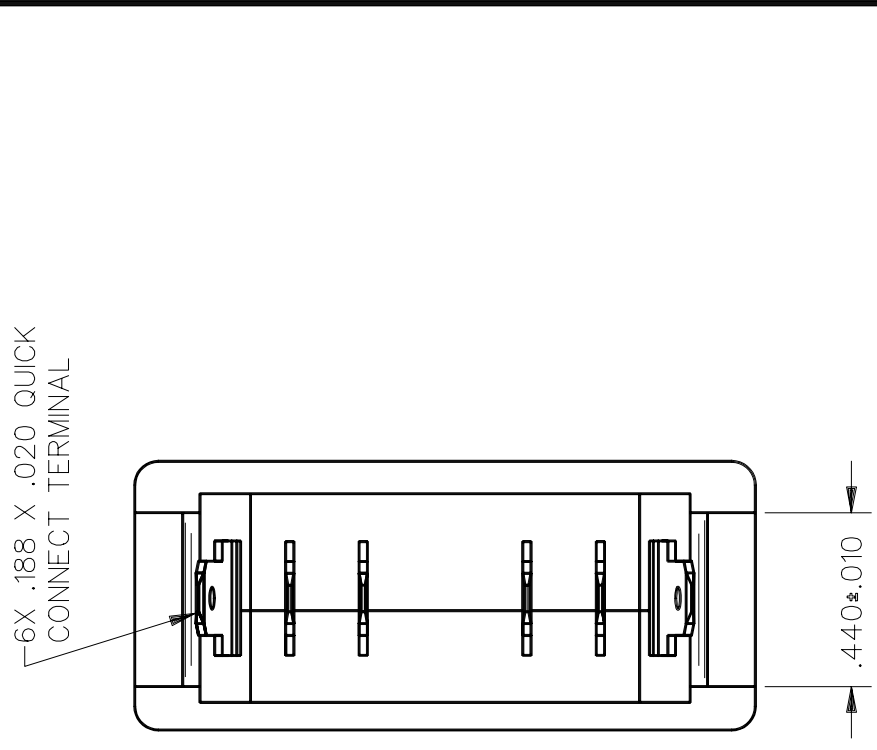
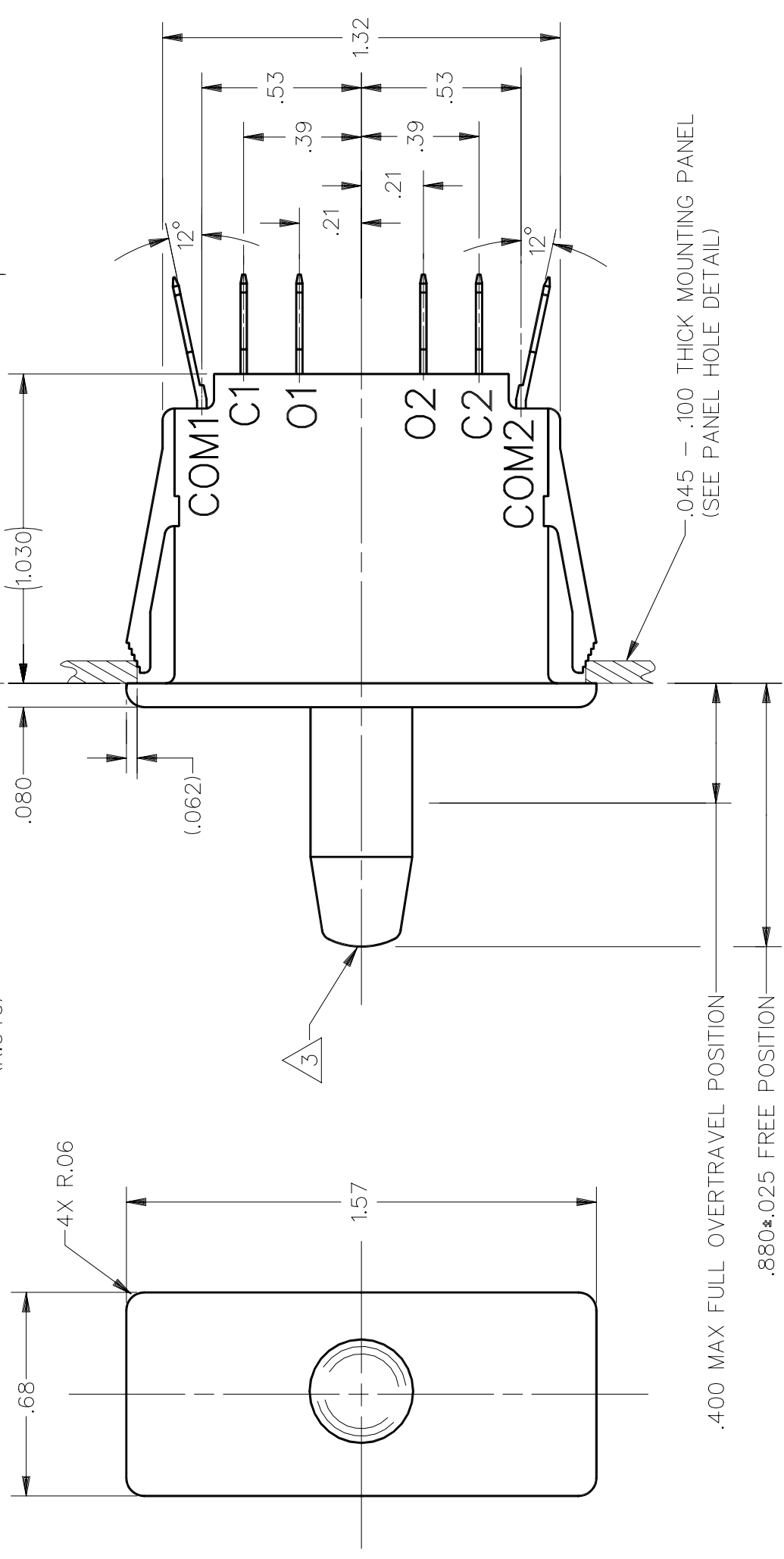
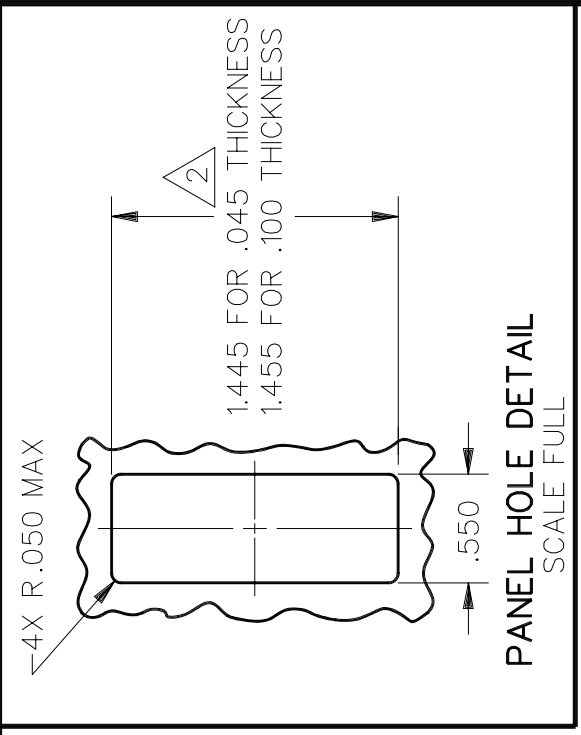
- Appliance door lights
- Door interlocks
- Stop/start switches

Description

The MICRO SWITCH™ DM/DP Series are snap-action switches in basic and manual configurations. They have quick-connect terminals and snap-in, panel mount housings for ease of installation. They include momentary and alternate actions, and single- or double-pole. The DM accept a button for manual operation. The DP have plungers for basic operation.

Product Specifications	
Switch Type	Snap-in Panel Mount (0.55 in x 1.45 in panel cutout)
Sealed	No
Ampere Rating	10 A
Circuitry	Double Pole Double Throw (DPDT)
Actuator	Bullet Nose Plunger
Termination	Quick Connect
Operating Temperature Range	-37 °C to 82 °C [-35 °F to 180 °F]
Voltage	277 Vac
Approvals	CSA,UL
Contact Type	Silver

Operating Force (O.F.)	6,67 N [24 oz] max.
Release Force (R.F.)	1,67 N [6.0 oz] min.
Overtravel (O.T.)	10,2 mm [.400 in] min.
Differential Travel (D.T.)	.045 in. approx.
Operating Position (O.P.)	19,6 ± 1,0 mm [0.770 ± 0.040 in]
Free Position (F.P.)	22,4 mm [0.880 ± 0.025 in] max.
Housing Material	Polyester
CE mark	No
UL File #	E12252
CSA File #	LR4442
Agency Approvals and Standards	UL/CSA
Recommended For	Door Status Indication
Availability	Global
Series Name	DM/DP



THIS DRAWING COVERS A PROPRIETARY ITEM AND IS THE PROPERTY OF MICRO SWITCH. A DIVISION OF HONEYWELL. THIS DRAWING IS NOT TO BE COPIED OR USED WITHOUT THE APPROVAL OF MICRO SWITCH		THIRD ANGLE PROJECTION
CHARACTERISTICS		SCALE 2 TO 1
OPERATING FORCE — — — — — 24 OZ MAX (TO OPERATE BOTH CIRCUITS)		DO NOT SCALE PRINT
RELEASE FORCE — — — — — 6 OZ MIN (TO RELEASE BOTH CIRCUITS)		UNLESS OTHERWISE SPECIFIED TOLERANCES ARE
DIFFERENTIAL TRAVEL — — .045 APPROX (EACH CIRCUIT)		ONE PLACE (.0) ±.030
L181 10A 1/2HP 125, 250 OR 277 VAC		TWO PLACE (.00) ±.015
		THREE PLACE (.000) ±.005
		ANGLES ± 5°
		WEIGHT
ELECTRICAL DATA		
CONTACT ARRANGEMENT		
D P D T		

- NOTES
- 1 — BLACK PLASTIC CASE AND PLUNGER
 - 2 — NOMINAL CUTOUT DIMENSION FOR PANELS BETWEEN .045 AND .100 SHOULD BE INTERPOLATED BETWEEN 1.445 AND 1.455
 - 3 — PUSH TO OPERATE — MOMENTARY

ISSUE	57
CATALOG LISTING	2DM1
REPLACES	
RELEASE NO.	PR-4967

REVISIONS	
A 172328	
DHD	
21 JUL 92	
CHECK	
CHECK	