



22AC1



AC Series Door Switch, Single Pole Double Throw Circuitry, 15 A at 250 Vac, Rod Actuator, Silver Contacts, Screw Termination

Actual product appearance may vary.

Features

- Automatically cuts power when service door or drawer is opened
- Choice of momentary, maintained or pull-to-charge actuation
- Versatile mounting bracket for side or end mounting
- Current rating ranges from 5 A to 25 A
- Available with one or two SPDT switches
- UL recognized versions available
- Choice of termination

Potential Applications

- Appliances
- Vending machines
- Office equipment
- Computer/business equipment
- Test instruments
- Medical/dental equipment
- Communications equipment
- HVAC equipment

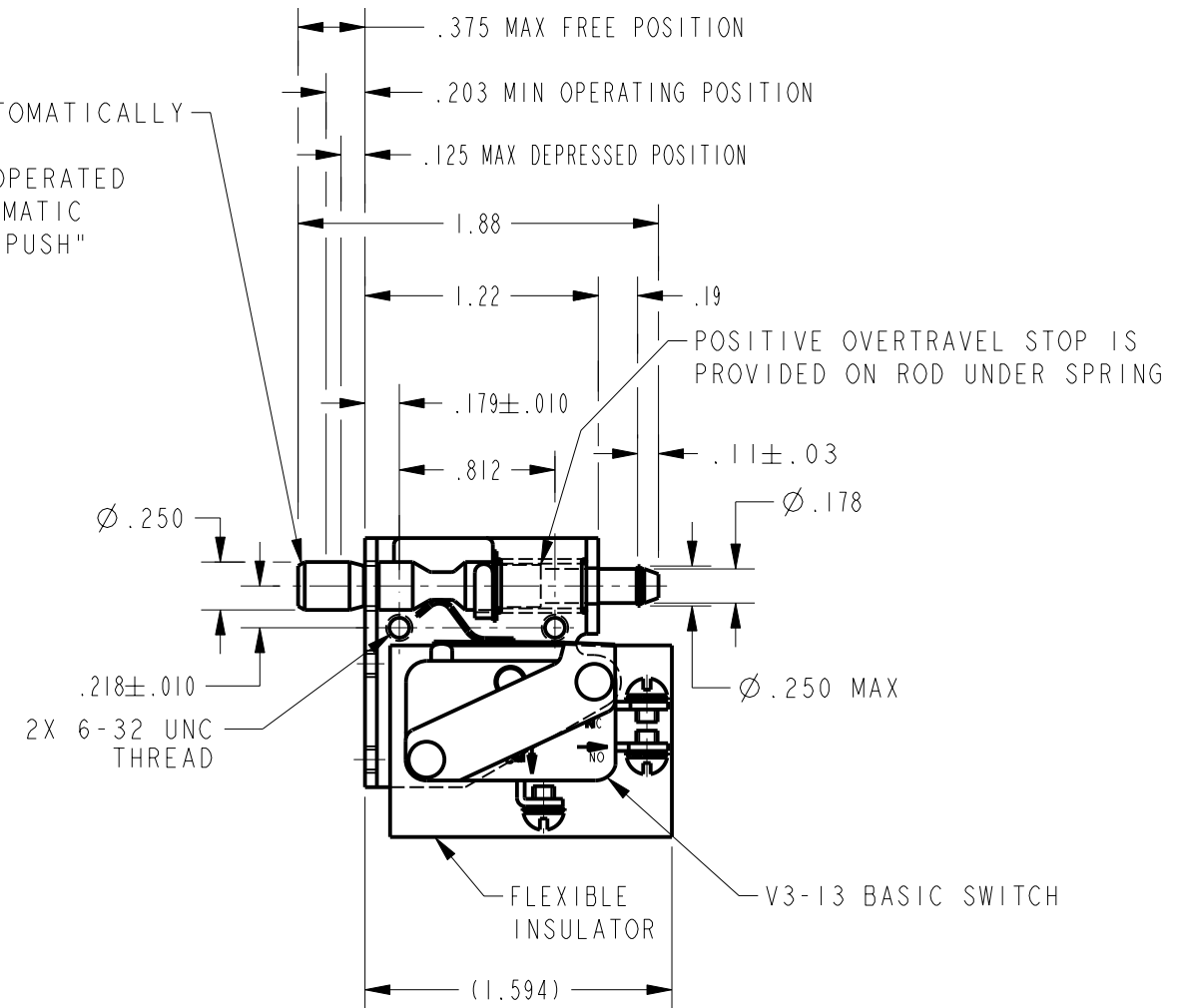
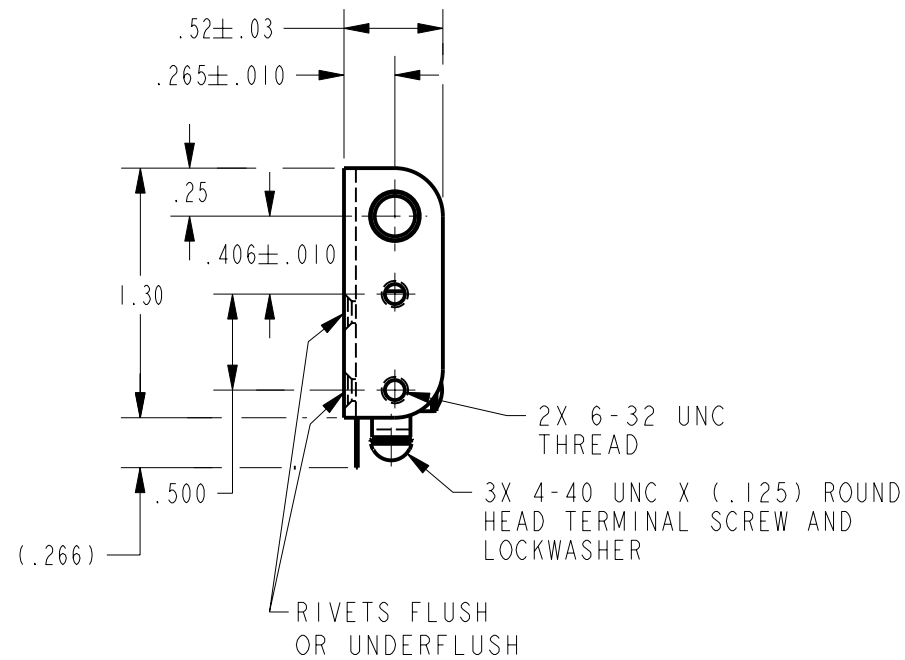
Description

MICRO SWITCH™ AC Series Door Switches are used for simple or precision on/off application needs. They enable circuit testing with POWER ON by manually pulling a rod actuator to the maintained-ON position. Closing the door resets the switch.

Product Specifications	
Switch Type	Door 38,1 mm H x 12,7 mm W x 38,1 mm L [1.5 in H x 0.5 in W x 1.5 in L]
Sealed	No
Ampere Rating	15 A
Circuitry	Single Pole Double Throw (SPDT)
Actuator	Rod
Termination	Screw
Operating Temperature Range	-18 °C to 82 °C [-65 °F to 180 °F]
Voltage	250 Vac
Contact Type	Silver
Operating Position (O.P.)	5,16 mm [0.203 in] min.

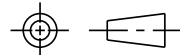
Free Position (F.P.)	9,53 mm [0.375 in] max.
Housing Material	Stainless Steel Bracket, Polyester Rod
Weight	34,02 g [.075 lb]
Package Height	39,9 mm [1.57 in]
Package Width	13,21 mm [.52 in]
Package Length	50,0 mm [1.97 in]
Availability	Global
UNSPSC Code	30211905
UNSPSC Commodity	30211905 Snap switches
Series Name	AC

PUSH TO OPERATE-RETURNS AUTOMATICALLY TO POSITION SHOWN
PULL TO OPERATE-REMAINS IN OPERATED POSITION UNTIL RESET FOR AUTOMATIC RETURN BY NEXT FULL STROKE "PUSH" OPERATION



THIS DRAWING COVERS A PROPRIETARY ITEM AND IS THE PROPERTY OF MICRO SWITCH, A DIVISION OF HONEYWELL. THIS DRAWING IS NOT TO BE COPIED OR USED WITHOUT THE APPROVAL OF MICRO SWITCH

THIRD ANGLE PROJECTION



CHARACTERISTICS

TOTAL TRAVEL
 .250 APPROX PUSH DIRECTION
 .187 APPROX PULL DIRECTION

FULLY DEPRESSED FORCE ----- 4 LB MAX

ELECTRICAL DATA

CONTACT ARRANGEMENT
 S P D T

15.1A 1/2HP 125, 250 VAC
 1/2A 125 VDC, 1/4A 250 VDC
 5A 125 VAC "L"

SCALE FULL

DO NOT SCALE PRINT

UNLESS OTHERWISE SPECIFIED TOLERANCES ARE

ONE PLACE (.0) ±.030
 TWO PLACE (.00) ±.015
 THREE PLACE (.000) ±.005
 ANGLES ±

WEIGHT .075 LB

NOTES

- 1 - NOTCH IN ACTUATOR ROD WILL PERMIT .035 DISPLACEMENT BETWEEN END OF ROD AND HOLE IN BRACKET
- 2 - BASIC SWITCH PLASTIC PARTS ARE MADE OF MINERAL FILLED PHENOLICS
- 3 - ACTUATOR ROD MADE OF HIGH STRENGTH PLASTIC
- 4 - WITH ROD IN EITHER ACTUATED POSITION BASIC SWITCH PLUNGER MUST HAVE .015 MIN OVERTRAVEL AND WITH ROD IN FREE POSITION BASIC SWITCH PLUNGER MUST HAVE .005 MIN RELEASE TRAVEL

ANSI Y14.5M-1982 APPLIES