

ACTUATOR-SWITCH

(M) MCD2711
ISSUE 5

MCD2711

PAGE 1 OF 1

M

DRAWING NUMBER

ISSUE

9

REPLACES

RELEASE NO.

CHECK

CHECK

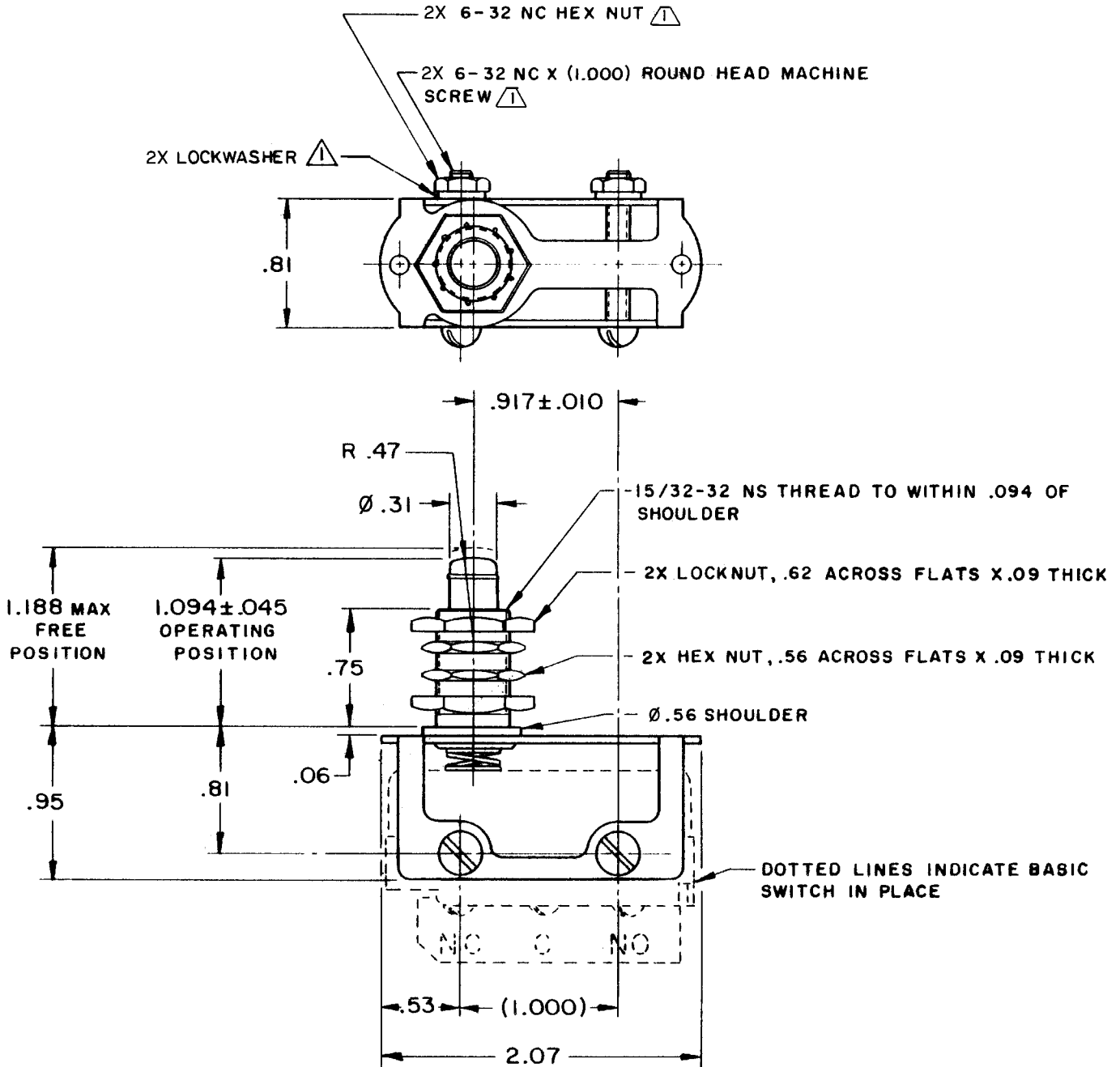
25 AUG 60

CHECK

18 AUG 60

REVISIONS

A	CO14866	MBF	18 AUG 60
B	CO19141	HBW	29 APR 64
C	CO79303	SAD	6 MAR 95
D	201916	DLT	8 DEC 00



NOTES
 \triangle FURNISHED UNASSEMBLED
 2 - ACTUATOR WILL PERFORM SATISFACTORILY IN TEMPERATURES TO MINUS 65° F

ANSI Y14.5M-1982 APPLIES

THIS DRAWING COVERS A PROPRIETARY ITEM AND IS THE PROPERTY OF MICRO SWITCH, A DIVISION OF MINNEAPOLIS-HONEYWELL REGULATOR CO. THIS DRAWING IS NOT TO BE COPIED OR USED WITHOUT THE APPROVAL OF MICRO SWITCH.

CHARACTERISTICS (WITH DT-26-A7 SWITCH INSTALLED)	ELECTRICAL DATA		SCALE FULL
OPERATING FORCE ----- 2 1/2 LB MAX	CONTACT ARRANGEMENT	BREAK DISTANCE	DO NOT SCALE PRINT
FULL OVERTRAVEL FORCE ----- 5 LB MAX			UNLESS OTHERWISE SPECIFIED
RELEASE FORCE ----- 1/4 LB MIN			DIMENSIONS ARE IN INCHES
OVERTRAVEL ----- .141 MIN			TOLERANCES ARE:
			ONE PLACE (.0) \pm .030
			TWO PLACE (.00) \pm .015
			THREE PLACE (.000) \pm .005
			ANGLES \pm
			WEIGHT

FORMTEK
FO-50378

DRAWN

MBF