

(M) OP-AR62  
ISSUE 2

**MICRO SWITCH**  
A DIVISION OF AMNELOPS-HONEYWELL REGULATOR COMPANY  
PROSPER, ILLINOIS  
FED. MFR. CODE 91929

**SWITCH-ENCLOSED**

CATALOG LISTING  
**OP-AR62**

THIS DRAWING COVERS A PROPRIETARY ITEM AND IS THE PROPERTY OF MICRO SWITCH, A DIVISION OF HONEYWELL. THIS DRAWING IS NOT TO BE COPIED OR USED WITHOUT THE APPROVAL OF MICRO SWITCH.

OP-AR62

M

DRAWING NUMBER

ISSUE  
12

REPLACES

RELEASE NO.

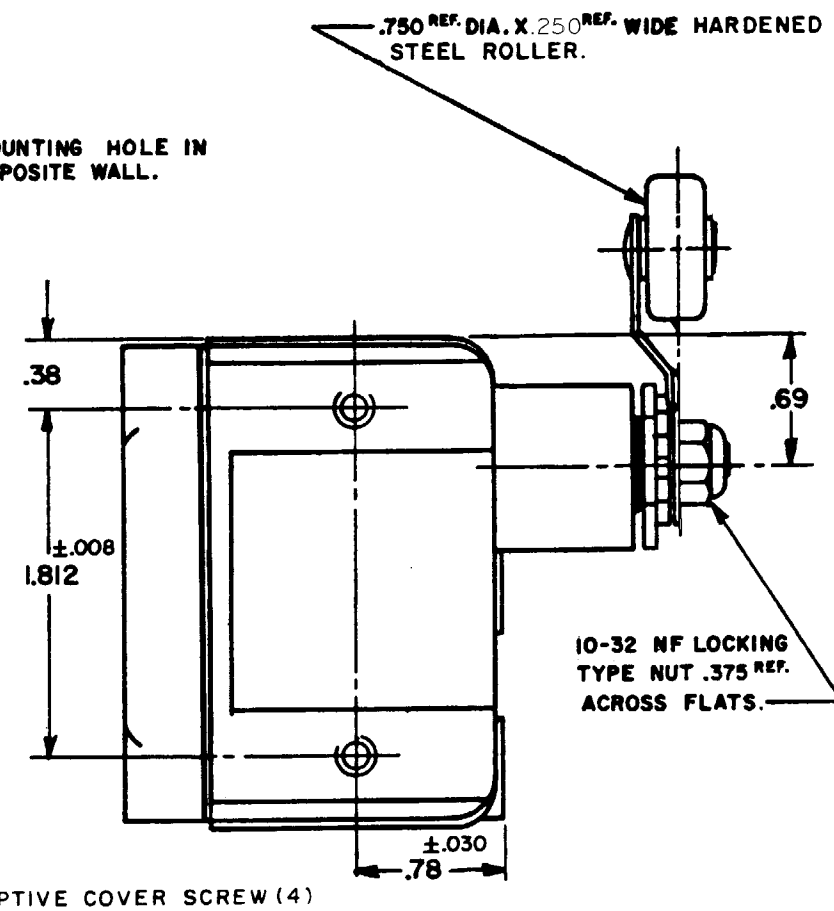
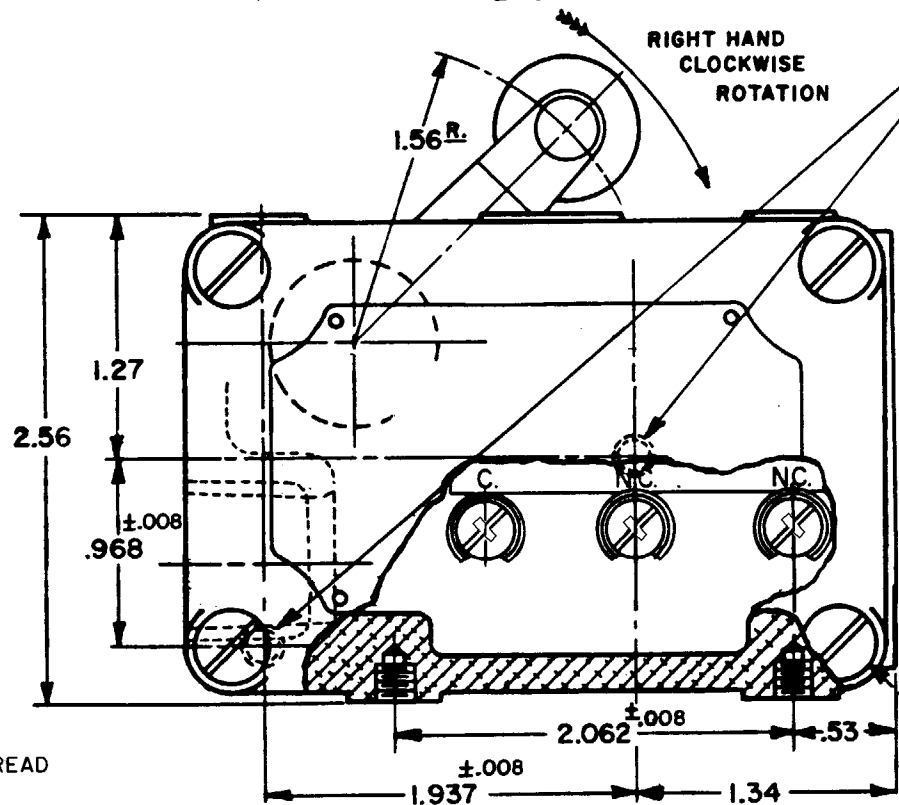
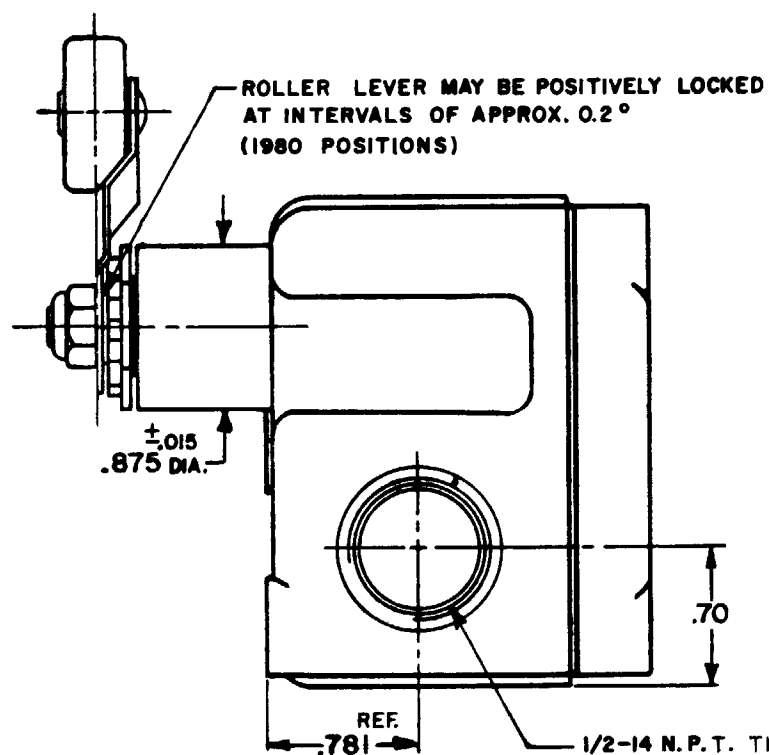
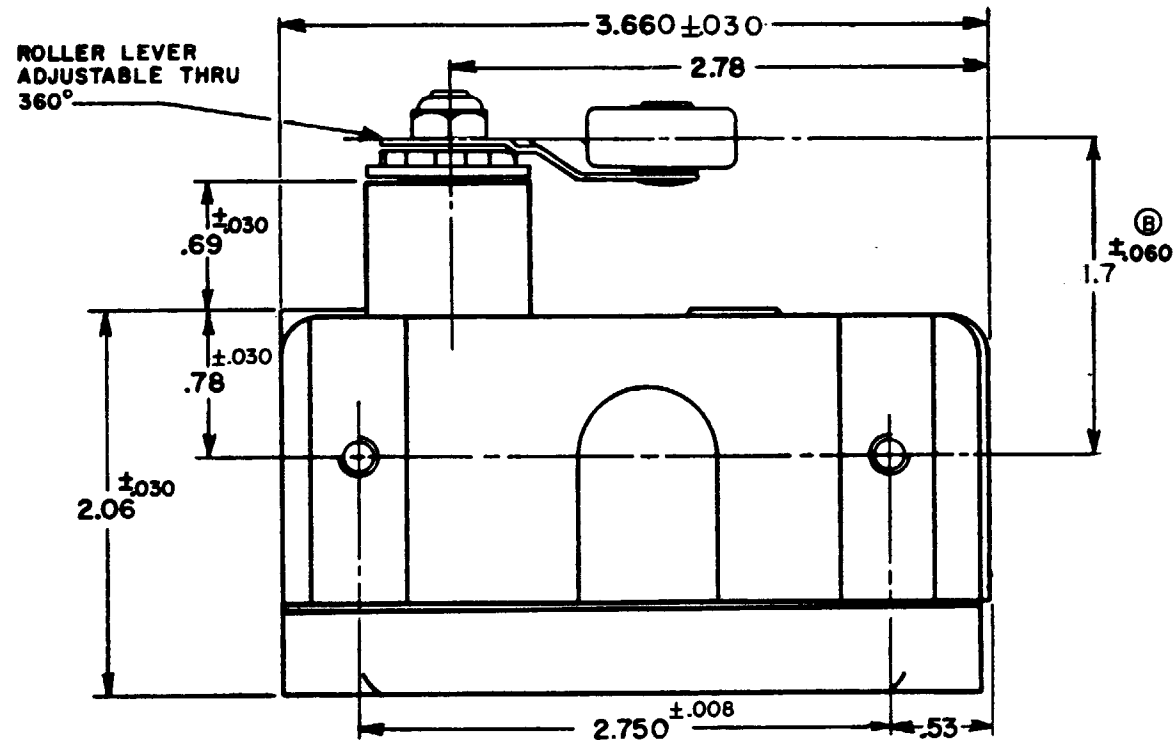
C.N.T. 7 SEPT. 55

CHECK

REVISIONS

A	C.O. 9182	C.M.A.	28 AUG. 55
B	C.D.11034	K. A. F.	13 DEC. 56
C	C.D.13827	NHL	16 JULY 59
D	C.O.17653 C.O.16851	M.B.F.	10 DEC. 62
E	C.O.19878	M.B.F.	22 NOV. 66
F	C.O.26103	D.L.F.	21 JUL. 65
G	C.O.55987	J.A.S.	5 NOV. 84
H	C.O.55031J	J.A.S.	26 APR. 85
J	C.O.73344	G.J.W.	2 OCT. 92
K	C.O.81637	GLH	19 MAR. 98

C.M.A. 26 AUG. 55



CHARACTERISTICS	ELECTRICAL DATA	SCALE FULL
OPERATING FORCE ----- 1/2-1 1/4 LBS.	CONTACT ARRANGEMENT S. P. D.T.	DO NOT SCALE PRINT
RELEASE FORCE ----- 1/4 LB. MIN.	-L96- 15 A-125, 250, OR 480 VAC 1/2 A-125 VDC; 1/4 A-250 VDC 1/8 HP-125 VAC; 1/4 HP-250 VAC	UNLESS OTHERWISE SPECIFIED DIMENSIONS ARE IN INCHES
PRETRAVEL ----- .219 MAX. 8°		TOLERANCES ARE:
DIFFERENTIAL TRAVEL ----- .007 MAX. 1/4°		ONE PLACE (.0) ± 0.030
OVERTRAVEL ----- DO NOT OVERTRAVEL MORE THAN 90°		TWO PLACE (.00) ± 0.015
BASIC SWITCH REPLACEMENT BZ-2R-P4		THREE PLACE (.000) ± 0.005
		ANGLES ±
		WEIGHT

NOTE-

- 1-(8) MOUNTING SCREW HOLES, 10-32 NF-2B THREADS X .219 REF. DEEP.
- 2-8-32 NC X .219 REF. BINDER HEAD TERMINAL SCREWS AND CUPWASHERS
- 3-SEALED CONSTRUCTION PROVIDES SPLASH RESISTANCE.

74-96.3